



# FRAMELESS SHOWER SCREEN HARDWARE

## CATALOGUE

- ✓ Glass door hinges
- ✓ Brackets
- ✓ Header bars
- ✓ Water bars & waterseals
- ✓ Knobs and handles
- ✓ Indication latches and keepers
- ✓ Door stops
- ✓ U Channels




# NFK Shower Screen Hardware

Discover our full shower screen hardware range in our catalogue. NFK offers a wide selection of shower hinges, brackets, clamps, handles, knobs, and header bars. We also supply other components like shower water seals and water bars, door stops and corner glass shelves.

Our selection of hinges includes economical trade ranges, covered by a manufacturer three three-year warranty, through to our premium ranges covered by either a five or seven-year warranty. Operating for more than 40 years, we work with long-term reliable manufacturers who maintain extremely high production standards.

NFK Glazing  
& Industrial Supplies

[www.nfk.com.au](http://www.nfk.com.au)

 28 Devlan Street,  
Mansfield, QLD 4122

 07 3343 3377

 [sales@nfk.com.au](mailto:sales@nfk.com.au)

 42 Tacoma Circuit,  
Canning Vale, WA 6155

 08 9455 3866

 [wasales@nfk.com.au](mailto:wasales@nfk.com.au)



# CONTENTS

**X1 Series - Trade Hinges Range .....06**

Wall to Glass Hinge 90° Full Back Plate.....07

Wall to Glass Hinge 90° Offset Back Plate.....08

Glass to Glass Hinge 90° .....09

Glass to Glass Hinge 135° .....10

Glass to Glass Hinge 180° .....11

**X1U Series - Trade Hinges Range..... 12**

Wall to Glass Hinge 90° with Full Back Plate..... 13

Wall to Glass Hinge 90° with Offset Back Plate..... 14

Glass to Glass Hinge 90° ..... 15

Glass to Glass Hinge 135° .....16

Glass to Glass Hinge 180° .....17

**T7 Series - Premium Quality Hinges..... 18**

Wall to Glass Hinge 90° with Full Back Plate..... 19

Wall to Glass Hinge 90° with Offset Back Plate..... 20

Glass to Glass 90° .....21

Glass to Glass Hinge 135° .....22

Glass to Glass 180° .....23

**T9 Series - Premium Quality Heavy Duty Hinges..... 24**

Wall to Glass Hinge 90° Full Back Plate..... 25

Wall to Glass Hinge 90° Offset Back Plate .....26

Glass to Glass Hinge 90° .....27

Glass to Glass Hinge 135° .....28

Glass to Glass Hinge 180° .....29

**XT2 Hinges Series - Micro-hinges for small doors..... 30**

Wall to Glass 90° Hinge with Full Back Plate ..... 31

Wall to Glass 90° Hinge with Offset Back Plate .....32

Glass to Glass Hinge 180° .....33

**MicroFlex Hinges Series - Italian Adjustable Micro-Hinges..... 34**

Wall to Glass Hinge 90° with Full Back Plate..... 35

Wall to Glass Hinge 90° with Offset Back Plate.....36

Glass to Glass Hinge 90° .....37

Glass to Glass Hinge 135° .....38

Glass to Glass Hinge 180° .....39



<b>BiFold-S series.....</b>	<b>40</b>
BiFold-S Wall to Glass Offset Free-Swinging .....	41
BiFold-S Glass to Glass 180° Free-Swinging .....	42
<b>BiFold-R series .....</b>	<b>43</b>
BiFold-R Wall to Glass Free Swing .....	44
BiFold Glass to Glass Free Swing .....	45
BiFold Wall to Glass Bracket Round Profile .....	46
C8 Pivot Hinge Square Profile .....	47
<b>Brackets .....</b>	<b>48</b>
U-bracket Wall to Glass Square Profile .....	49
U-bracket Wall to Glass Square Profile and Round Corners .....	50
U-bracket Wall to Glass Round Profile .....	51
U-bracket Wall to Glass Square Profile with a Side Leg .....	52
U-bracket Wall to Glass Square Profile and Rounded Corners with a Bottom Leg.....	53
U-bracket Wall to Glass Square Profile and Rounded Corners with a Side Leg.....	54
Square Bracket Wall to Glass Square Profile .....	55
Square Bracket Wall to Glass Square Profile with a Large Side Leg.....	56
Square Bracket Wall to Glass Square Profile with a Short Side Leg.....	57
Fixed 90° Glass to Glass Bracket Square Profile .....	58
Fixed 135° Glass to Glass Bracket Square Profile .....	59
Fixed 180° Glass to Glass Bracket Square Profile .....	60
Brace Bracket Square Profile .....	61
"Sleeve Over" Clamp 90° Square Profile .....	62
<b>Handles &amp; Knobs .....</b>	<b>63</b>
Straight Barrel Knob with Finger Grooves .....	64
Straight Barrel Knob with Finger Grooves Solid Brass .....	64
Barrel Knob with Finger Pull .....	65
Single-Sided Barrel Knob .....	65
Double "D" Pull Handle .....	66
Square Paddle Knob .....	66
<b>Privacy Latches .....</b>	<b>67</b>
Indication Latch for Sliding Door .....	68
Lock Keeper for Glass Sidelight .....	69
Indication Latch .....	70
Lock Keeper .....	70



**Header Bars ..... 71**

Glass to Glass Header Bar ..... 72

Wall to Glass 90° Header Bar ..... 73

Wall to Glass 45° Header Bar ..... 73

**Waterseals/Bars ..... 74**

U Channel Extrusion ..... 75

Half-Round Waterbar ..... 76

Square Profile Waterbar..... 76

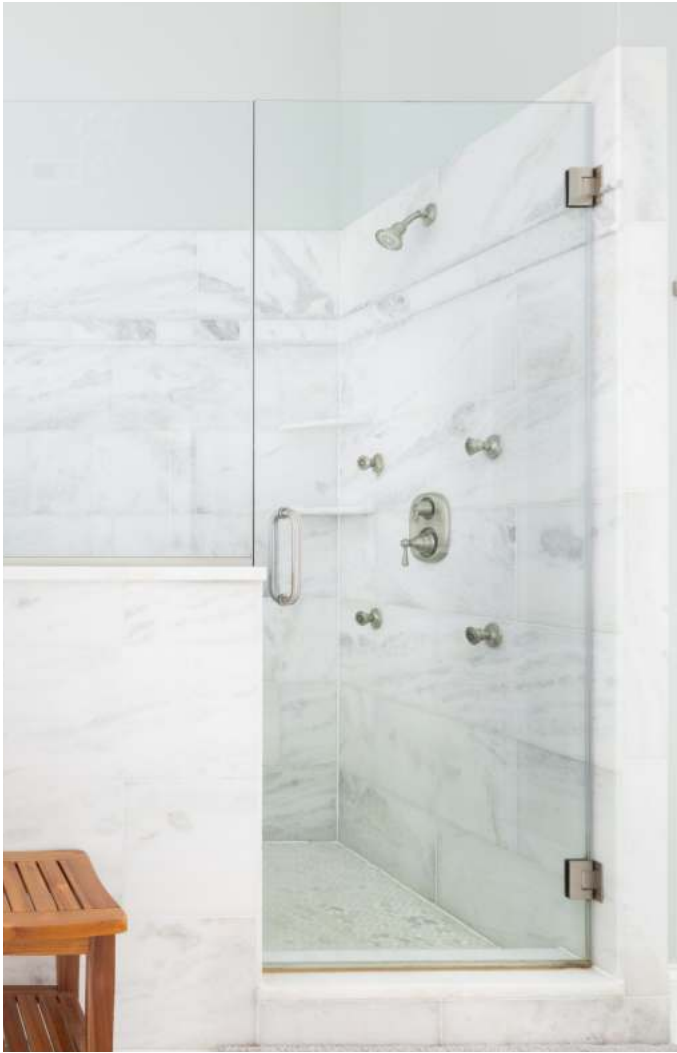
Waterseals ..... 77

**Door Stops, Glass Shelves..... 79**

Door Stops ..... 80

Glass Corner Shelf with Soap Dish ..... 81

Radius Corner Glass Shelf ..... 82



# X1 SERIES

## TRADE HINGES RANGE

- ✓ High-quality manufactured hinges with durable finish
- ✓ Suits Rabbit Ear cut-out
- ✓ Suitable for 8-10 mm glass thickness

### Hinges Capacities

Number of hinges on one door	Max. weight	Max. width
2	35kg	710mm
3	54kg	810mm

NFK Glazing  
& Industrial Supplies

[www.nfk.com.au](http://www.nfk.com.au)

📍 28 Devlan Street,  
Mansfield, QLD 4122

☎ 07 3343 3377

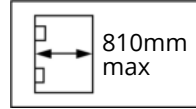
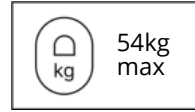
✉ [sales@nfk.com.au](mailto:sales@nfk.com.au)

📍 42 Tacoma Circuit,  
Canning Vale, WA 6155

☎ 08 9455 3866

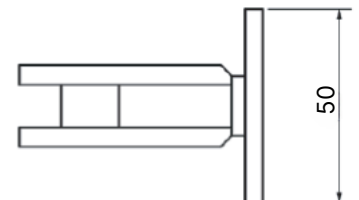
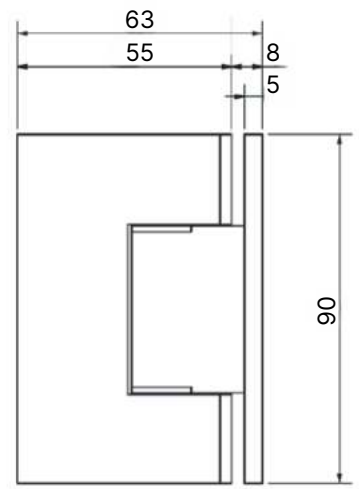
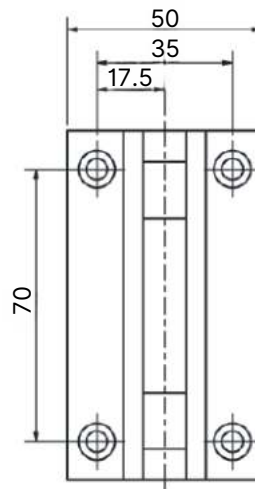
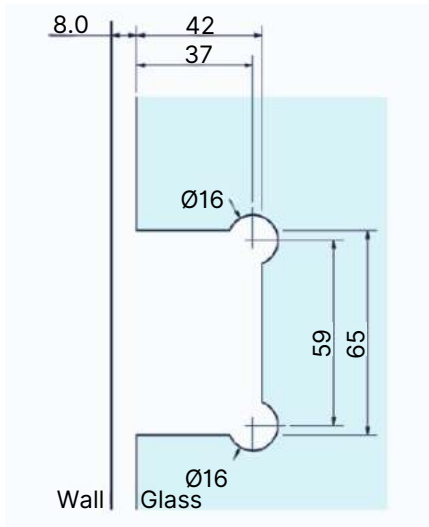
✉ [wasales@nfk.com.au](mailto:wasales@nfk.com.au)

## X1 Wall to Glass 90° Full Back Plate



High-quality square wall to glass hinge with full back plate

FINISH	CODE
Chrome	19-SH/052C
Matt Black	19-SH/052MB
Brushed Nickel	19-SH/052BN
Other finishes	Contact NFK



NFK Glazing  
& Industrial Supplies

[www.nfk.com.au](http://www.nfk.com.au)

28 Devlan Street,  
Mansfield, QLD 4122

07 3343 3377

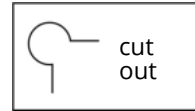
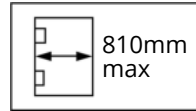
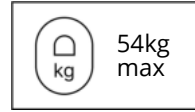
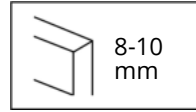
[sales@nfk.com.au](mailto:sales@nfk.com.au)

42 Tacoma Circuit,  
Canning Vale, WA 6155

08 9455 3866

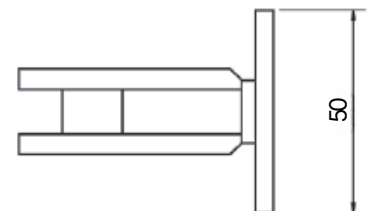
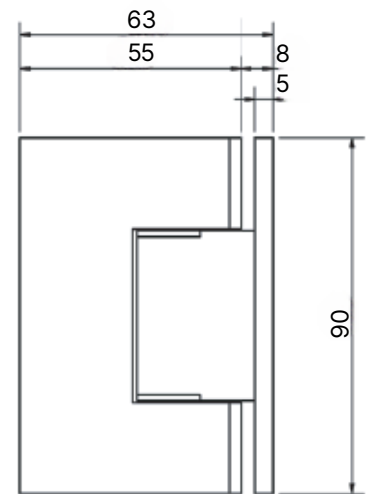
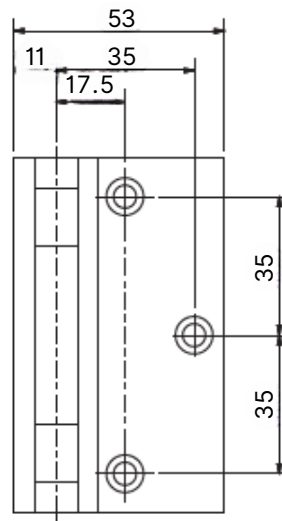
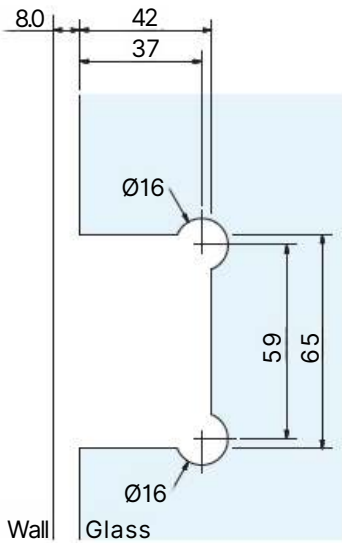
[wasales@nfk.com.au](mailto:wasales@nfk.com.au)

## X1 Wall to Glass 90° Offset Back Plate



High-quality square wall to glass hinge with offset back plate

FINISH	CODE
Chrome	19-SH/051C
Matt Black	19-SH/051MB
Brushed Nickel	19-SH/051BN
Other finishes	Contact NFK



NFK Glazing  
& Industrial Supplies

[www.nfk.com.au](http://www.nfk.com.au)

28 Devlan Street,  
Mansfield, QLD 4122

07 3343 3377

[sales@nfk.com.au](mailto:sales@nfk.com.au)

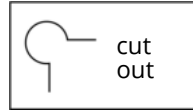
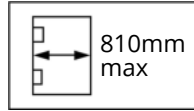
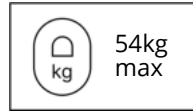
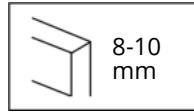
42 Tacoma Circuit,  
Canning Vale, WA 6155

08 9455 3866

[wasales@nfk.com.au](mailto:wasales@nfk.com.au)

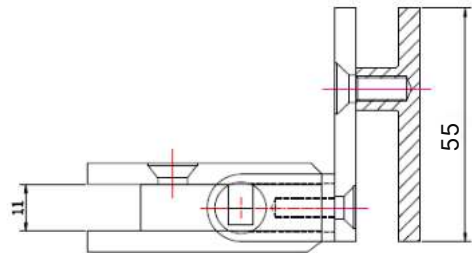
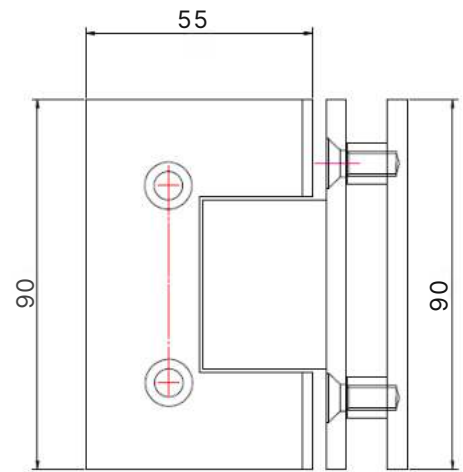
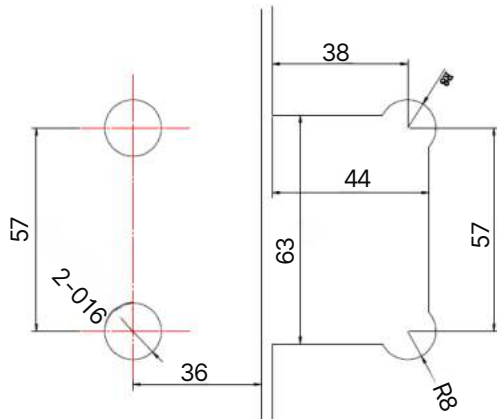


## X1 Glass to Glass 90°



High-quality square glass to glass hinge 90°

FINISH	CODE
Chrome	19-SH/054C
Matt Black	19-SH/054MB
Gold	Contact NFK
Satin Chrome	Contact NFK
Other finishes	Contact NFK



NFK Glazing  
& Industrial Supplies

[www.nfk.com.au](http://www.nfk.com.au)

28 Devlan Street,  
Mansfield, QLD 4122

07 3343 3377

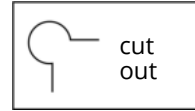
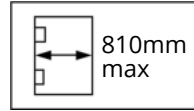
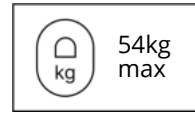
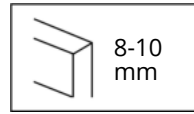
[sales@nfk.com.au](mailto:sales@nfk.com.au)

42 Tacoma Circuit,  
Canning Vale, WA 6155

08 9455 3866

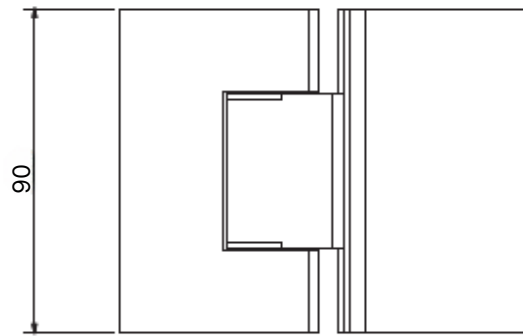
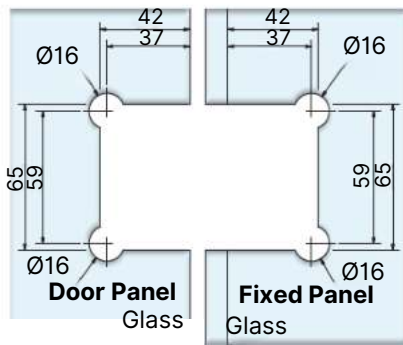
[wasales@nfk.com.au](mailto:wasales@nfk.com.au)

## X1 Glass to Glass 135°

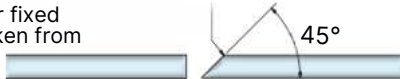


High-quality square glass to glass hinge 135°

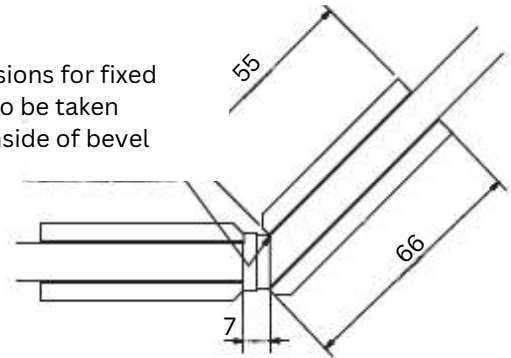
FINISH	CODE
Chrome	19-SH/053C
Matt Black	19-SH/053MB
Brushed Nickel	19-SH/053BN
Gold	Contact NFK
Satin Chrome	Contact NFK
Other finishes	Contact NFK



Dimensions for fixed panel to be taken from inside of bevel



Dimensions for fixed panel to be taken from inside of bevel



NFK Glazing  
& Industrial Supplies

[www.nfk.com.au](http://www.nfk.com.au)

28 Devlan Street,  
Mansfield, QLD 4122

07 3343 3377

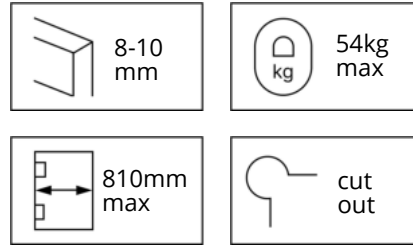
[sales@nfk.com.au](mailto:sales@nfk.com.au)

42 Tacoma Circuit,  
Canning Vale, WA 6155

08 9455 3866

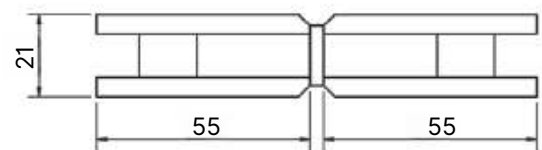
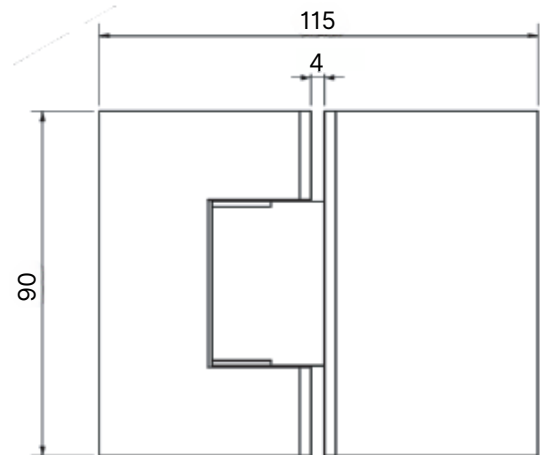
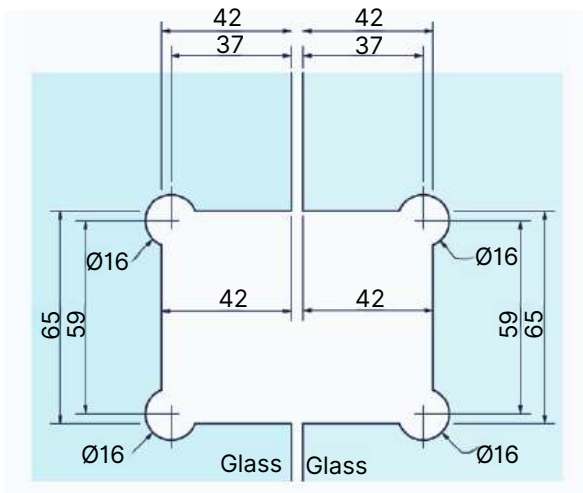
[wasaless@nfk.com.au](mailto:wasaless@nfk.com.au)

## X1 Glass to Glass 180°



High-quality square glass to glass hinge 180°

FINISH	CODE
Chrome	19-SH/050C
Matt Black	19-SH/050MB
Brushed Nickel	19-SH/050BN
Gold	Contact NFK
Satin Chrome	Contact NFK
Other finishes	Contact NFK



NFK Glazing  
& Industrial Supplies

[www.nfk.com.au](http://www.nfk.com.au)

28 Devlan Street,  
Mansfield, QLD 4122

07 3343 3377

[sales@nfk.com.au](mailto:sales@nfk.com.au)

42 Tacoma Circuit,  
Canning Vale, WA 6155

08 9455 3866

[wasales@nfk.com.au](mailto:wasales@nfk.com.au)



# X1U SERIES

TRADE HINGES RANGE

- ✓ High-quality manufactured hinges with durable finish
- ✓ Suits U-shape cut-out
- ✓ Suitable for 8-10 mm glass thickness

## Hinges Capacities

Number of hinges on one door	Max. weight	Max. width
2	35kg	710mm
3	54kg	810mm

NFK Glazing  
& Industrial Supplies

[www.nfk.com.au](http://www.nfk.com.au)

📍 28 Devlan Street,  
Mansfield, QLD 4122

☎ 07 3343 3377

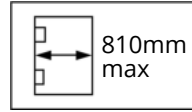
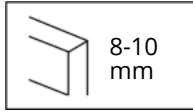
✉ [sales@nfk.com.au](mailto:sales@nfk.com.au)

📍 42 Tacoma Circuit,  
Canning Vale, WA 6155

☎ 08 9455 3866

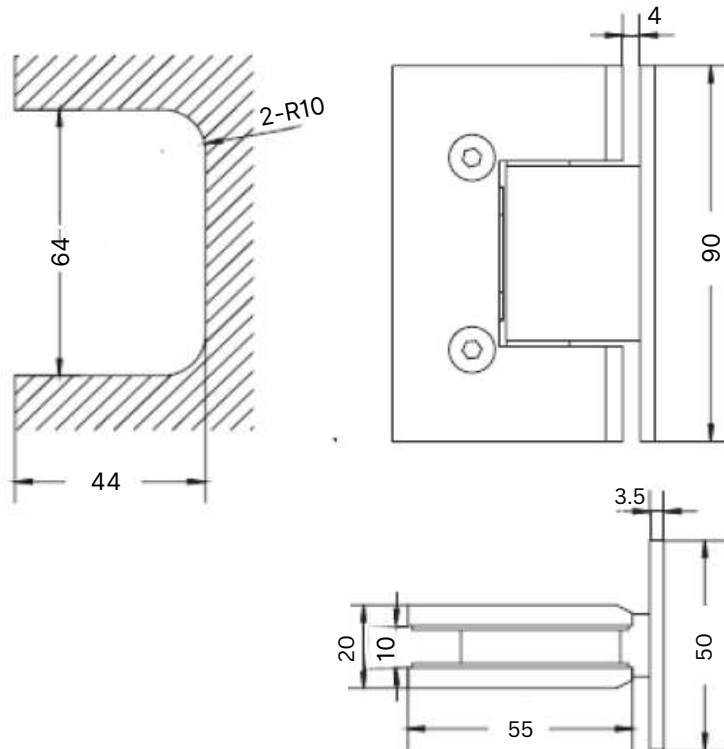
✉ [wasales@nfk.com.au](mailto:wasales@nfk.com.au)

## X1U Wall to Glass 90° Full Back Plate



- High-quality square wall to glass hinge 90° with full back plate
- Recommended wall-to-glass clearance - 8mm

FINISH	CODE
Chrome	19-SH/025C
Matt Black	19-SH/025MB
Brushed Nickel	19-SH/025BN
Other finishes	Contact NFK



NFK Glazing  
& Industrial Supplies

[www.nfk.com.au](http://www.nfk.com.au)

28 Devlan Street,  
Mansfield, QLD 4122

07 3343 3377

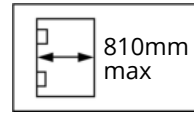
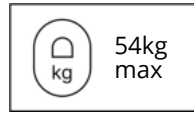
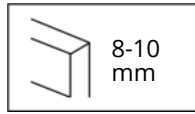
[sales@nfk.com.au](mailto:sales@nfk.com.au)

42 Tacoma Circuit,  
Canning Vale, WA 6155

08 9455 3866

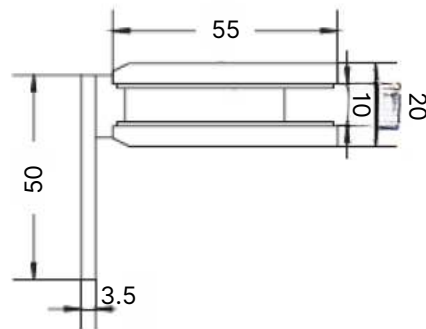
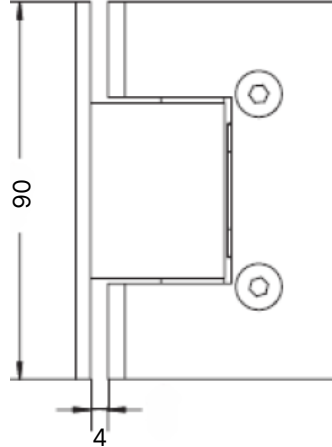
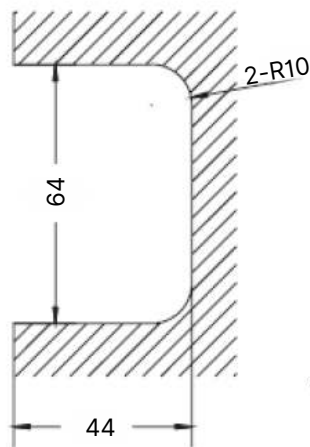
[wasaless@nfk.com.au](mailto:wasaless@nfk.com.au)

## X1U Wall to Glass 90° Offset Back Plate



- High-quality square wall-to-glass hinge 90° with offset back plate
- Recommended wall-to-glass clearance - 8mm

FINISH	CODE
Chrome	19-SH/024C
Matt Black	19-SH/024MB
Brushed Nickel	19-SH/024BN
Brushed Gold	19-SH/024BG
Other finishes	Contact NFK



NFK Glazing  
& Industrial Supplies

[www.nfk.com.au](http://www.nfk.com.au)

28 Devlan Street,  
Mansfield, QLD 4122

07 3343 3377

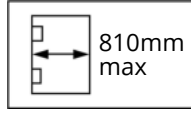
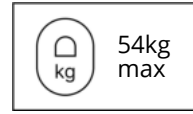
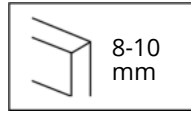
[sales@nfk.com.au](mailto:sales@nfk.com.au)

42 Tacoma Circuit,  
Canning Vale, WA 6155

08 9455 3866

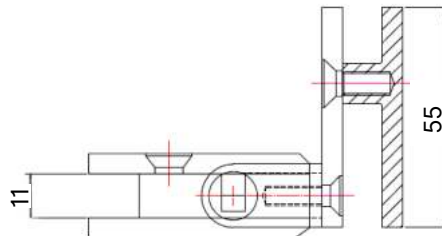
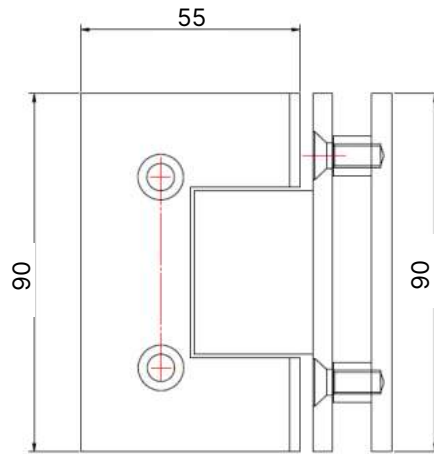
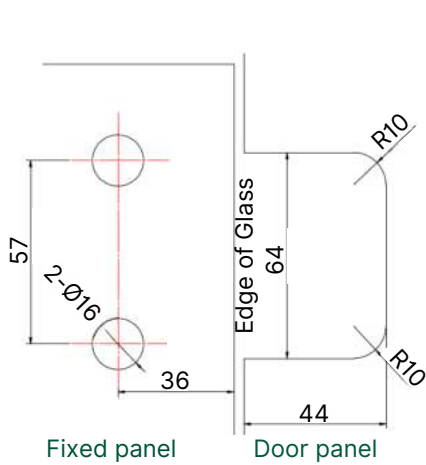
[wasales@nfk.com.au](mailto:wasales@nfk.com.au)

## X1U Glass to Glass 90°



High-quality square glass-to-glass hinge 90°

FINISH	CODE
Chrome	19-SH/028C
Matt Black	19-SH/028MB
Brushed Nickel	Contact NFK
Gold	Contact NFK
Other finishes	Contact NFK



NFK Glazing  
& Industrial Supplies

[www.nfk.com.au](http://www.nfk.com.au)

28 Devlan Street,  
Mansfield, QLD 4122

07 3343 3377

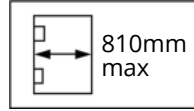
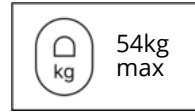
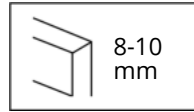
[sales@nfk.com.au](mailto:sales@nfk.com.au)

42 Tacoma Circuit,  
Canning Vale, WA 6155

08 9455 3866

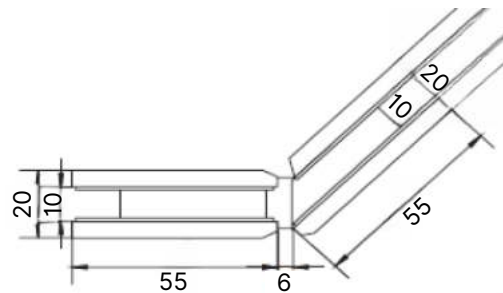
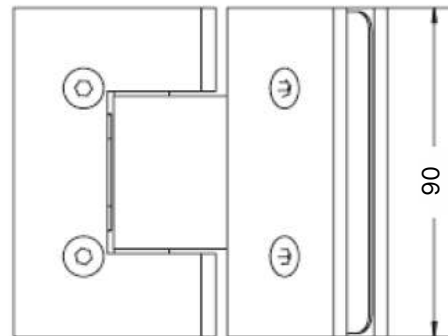
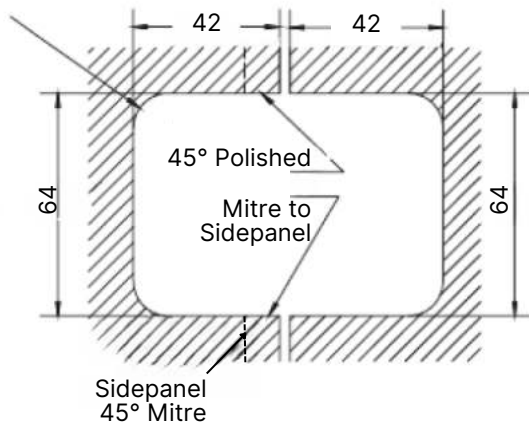
[wasales@nfk.com.au](mailto:wasales@nfk.com.au)

## X1U Glass to Glass 135°



High-quality square glass-to-glass hinge 135°

FINISH	CODE
Chrome	19-SH/027C
Matt Black	19-SH/027MB
Brushed Nickel	19-SH/027BN
Gold	Contact NFK
Satin Chrome	Contact NFK
Other finishes	Contact NFK



NFK Glazing  
& Industrial Supplies

[www.nfk.com.au](http://www.nfk.com.au)

28 Devlan Street,  
Mansfield, QLD 4122

07 3343 3377

[sales@nfk.com.au](mailto:sales@nfk.com.au)

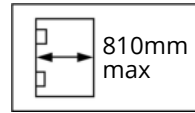
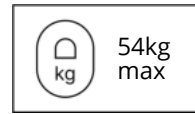
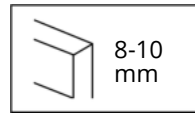
42 Tacoma Circuit,  
Canning Vale, WA 6155

08 9455 3866

[wasales@nfk.com.au](mailto:wasales@nfk.com.au)

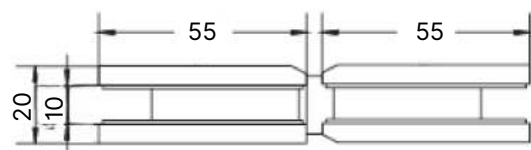
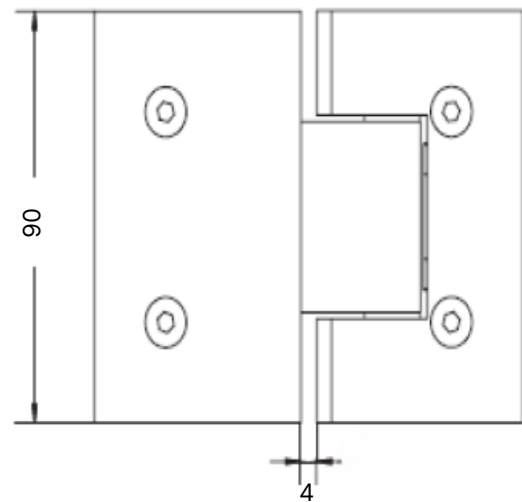
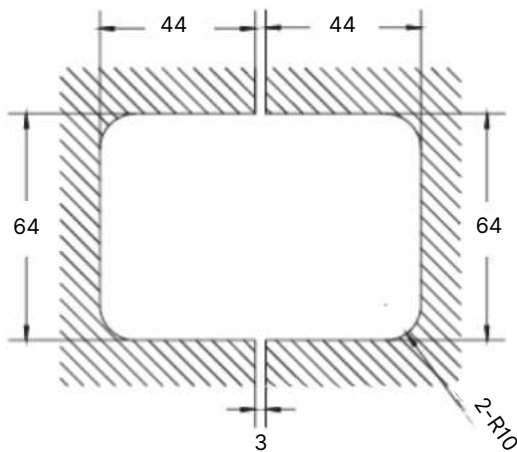


## X1U Glass to Glass 180°



High-quality square glass-to-glass hinge 180°

FINISH	CODE
Chrome	19-SH/026C
Matt Black	19-SH/026MB
Brushed Nickel	19-SH/026BN
Brushed Gold	19-SH/026BG
Satin Chrome	Contact NFK
Other finishes	Contact NFK



NFK Glazing  
& Industrial Supplies

[www.nfk.com.au](http://www.nfk.com.au)

28 Devlan Street,  
Mansfield, QLD 4122

07 3343 3377

[sales@nfk.com.au](mailto:sales@nfk.com.au)

42 Tacoma Circuit,  
Canning Vale, WA 6155

08 9455 3866

[wasales@nfk.com.au](mailto:wasales@nfk.com.au)



# T7 SERIES

PREMIUM QUALITY HINGES

- ✓ Premium quality components and surface finish for longer durability and excellent performance
- ✓ Suits Rabbit Ear cut-out
- ✓ Suitable for 8-10 mm glass thickness

## Hinges Capacities

Number of hinges on one door	Max. weight	Max. width
2	35kg	762mm

NFK Glazing  
& Industrial Supplies

[www.nfk.com.au](http://www.nfk.com.au)

📍 28 Devlan Street,  
Mansfield, QLD 4122

☎ 07 3343 3377

✉ [sales@nfk.com.au](mailto:sales@nfk.com.au)

📍 42 Tacoma Circuit,  
Canning Vale, WA 6155



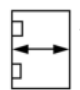

☎ 08 9455 3866

✉ [wasales@nfk.com.au](mailto:wasales@nfk.com.au)



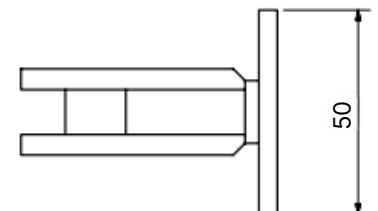
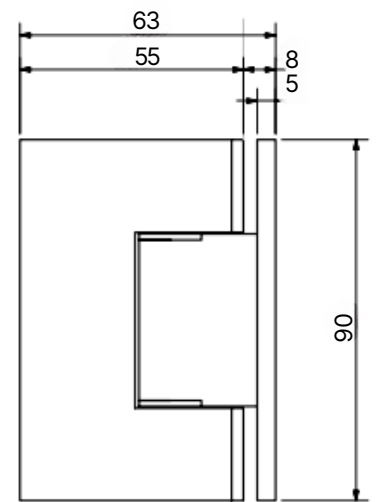
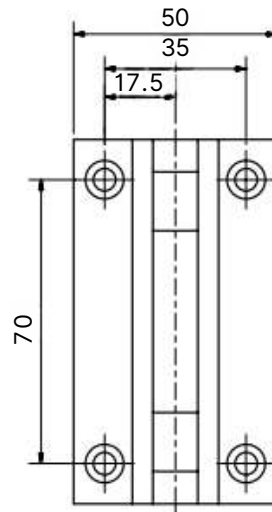
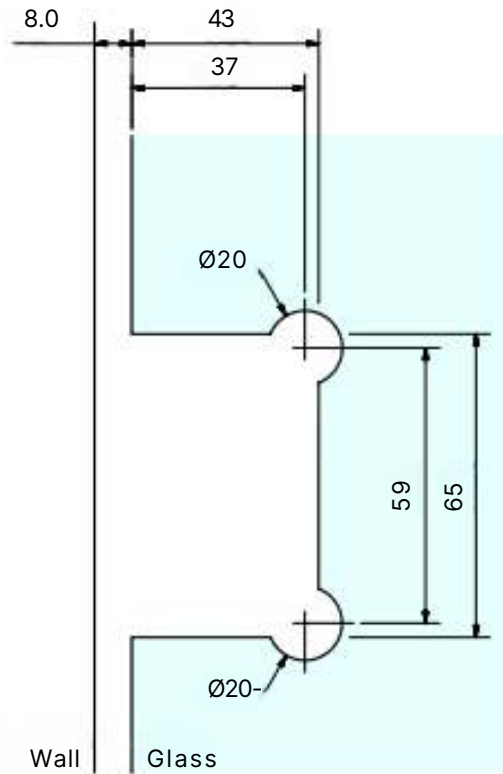
# T7 Wall to Glass 90° Full Back Plate



 8-10 mm	 35kg max
 762mm max	 cut out

Premium-quality square wall to glass hinge with full back plate

FINISH	CODE
Bright Chrome	19-SH/033C
Other finishes	Contact NFK



NFK Glazing & Industrial Supplies

[www.nfk.com.au](http://www.nfk.com.au)

28 Devlan Street, Mansfield, QLD 4122

07 3343 3377

[sales@nfk.com.au](mailto:sales@nfk.com.au)

42 Tacoma Circuit, Canning Vale, WA 6155



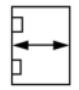

08 9455 3866

[wasales@nfk.com.au](mailto:wasales@nfk.com.au)



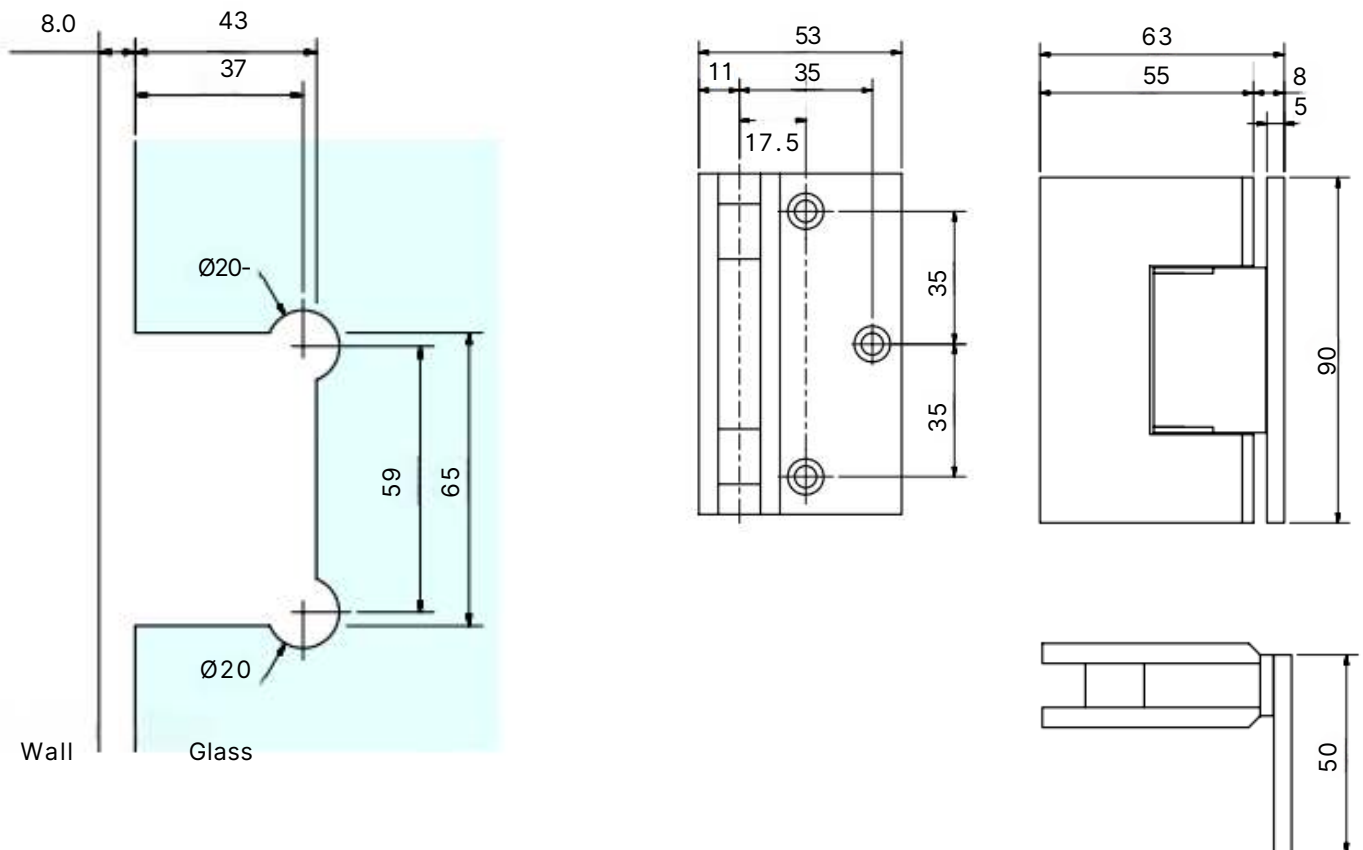
## T7 Wall to Glass 90° Offset Back Plate



 8-10 mm	 35kg max
 762mm max	 cut out


Premium-quality square wall to glass hinge with offset back plate

FINISH	CODE
Bright Chrome	19-SH/034C
Other finishes	Contact NFK



NFK Glazing  
& Industrial Supplies


[www.nfk.com.au](http://www.nfk.com.au)

 28 Devlan Street,  
Mansfield, QLD 4122

 07 3343 3377

 [sales@nfk.com.au](mailto:sales@nfk.com.au)

 42 Tacoma Circuit,  
Canning Vale, WA 6155



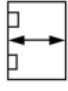

 08 9455 3866

 [wasales@nfk.com.au](mailto:wasales@nfk.com.au)



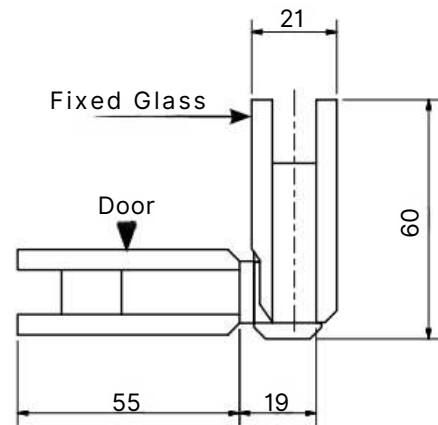
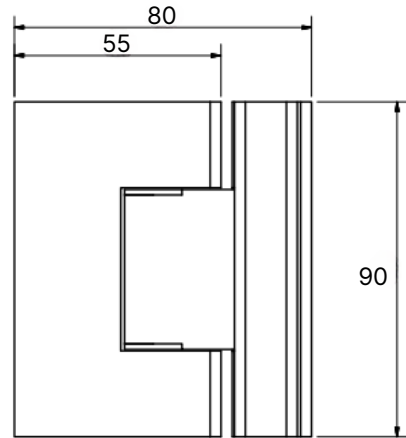
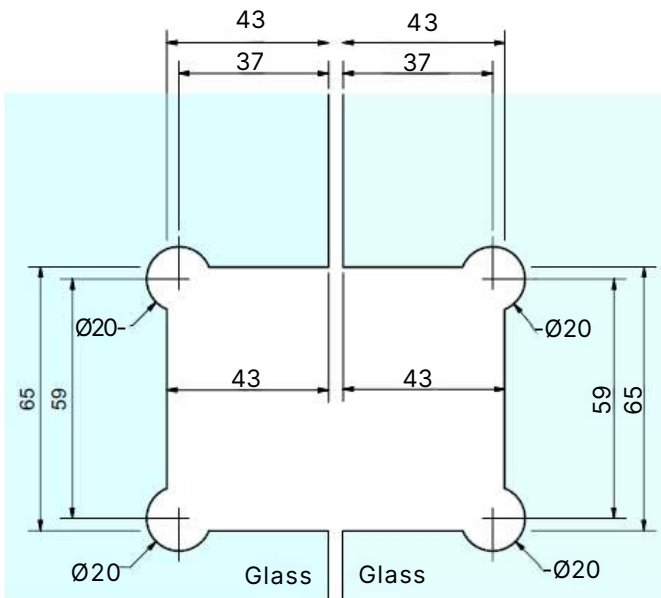
# T7 Glass to Glass 90°



 8-10 mm	 35kg max
 762mm max	 cut out

Premium quality square glass to glass hinge 90°

FINISH	CODE
Bright Chrome	19-SH/037C
Other finishes	Contact NFK



NFK Glazing  
& Industrial Supplies

[www.nfk.com.au](http://www.nfk.com.au)

28 Devlan Street,  
Mansfield, QLD 4122

07 3343 3377

[sales@nfk.com.au](mailto:sales@nfk.com.au)

42 Tacoma Circuit,  
Canning Vale, WA 6155



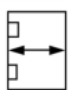

08 9455 3866

[wasales@nfk.com.au](mailto:wasales@nfk.com.au)



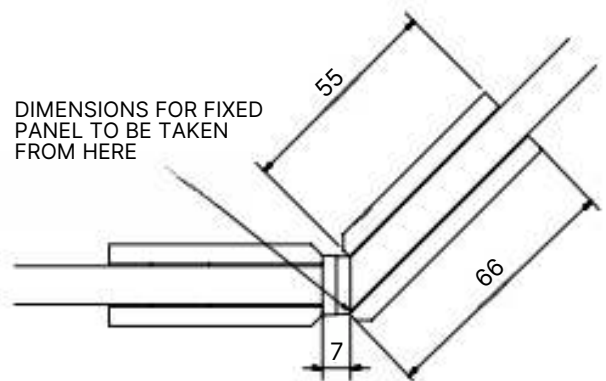
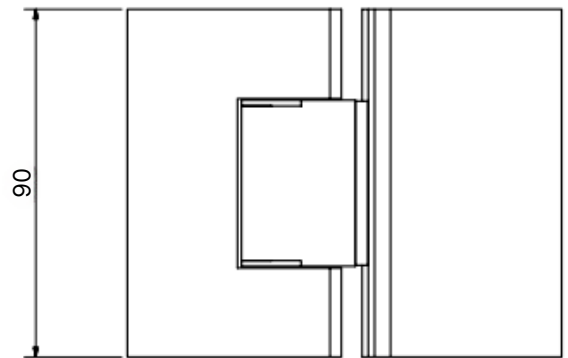
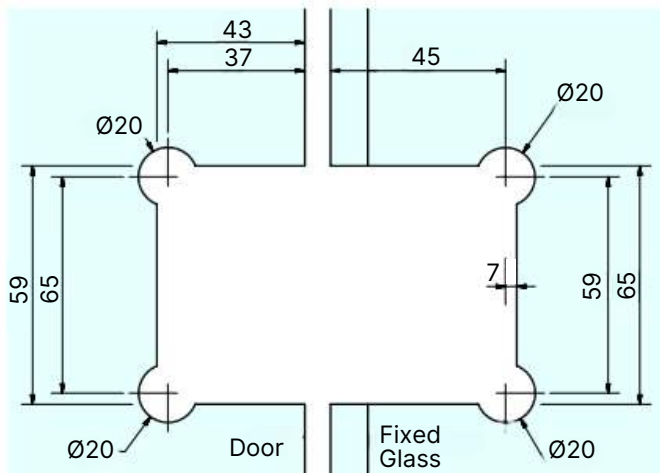
## T7 Glass to Glass 135°



 8-10 mm	 35kg max
 762mm max	 cut out


Premium quality square glass to glass hinge 135°

FINISH	CODE
Bright Chrome	19-SH/036
Other finishes	Contact NFK



NFK Glazing  
& Industrial Supplies

[www.nfk.com.au](http://www.nfk.com.au)

 28 Devlan Street,  
Mansfield, QLD 4122

 07 3343 3377

 [sales@nfk.com.au](mailto:sales@nfk.com.au)

 42 Tacoma Circuit,  
Canning Vale, WA 6155





 08 9455 3866

 [wasales@nfk.com.au](mailto:wasales@nfk.com.au)



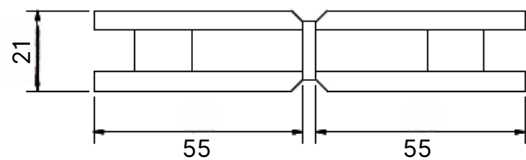
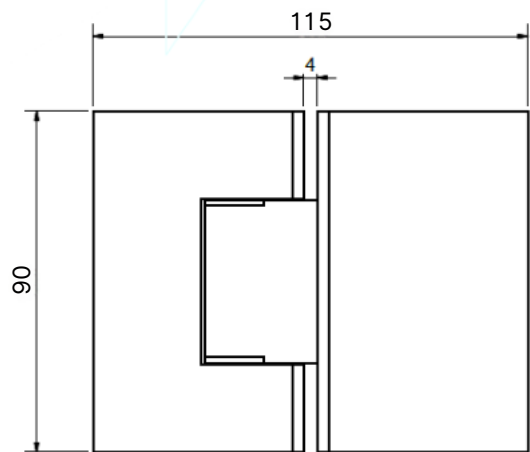
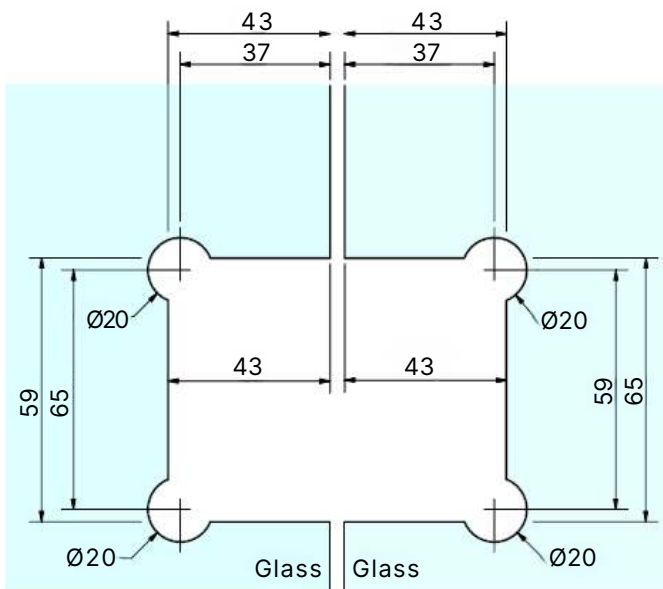
## T7 Glass to Glass 180°



 8-10 mm	 35kg max
 762mm max	 cut out


Premium quality square glass to glass hinge 180°

FINISH	CODE
Bright Chrome	19-SH/035C
Other finishes	Contact NFK



NFK Glazing  
& Industrial Supplies


[www.nfk.com.au](http://www.nfk.com.au)

 28 Devlan Street,  
Mansfield, QLD 4122

 07 3343 3377

 [sales@nfk.com.au](mailto:sales@nfk.com.au)

 42 Tacoma Circuit,  
Canning Vale, WA 6155

 08 9455 3866

 [wasales@nfk.com.au](mailto:wasales@nfk.com.au)



# T9 SERIES

DESIGNED TO ENDURE.

PREMIUM QUALITY  
HEAVY DUTY HINGES

- ✓ Superior quality, and heavy-duty strength
- ✓ Suitable for 10mm-12mm glass thickness

- ✓ 6mm plate thickness
- ✓ Suits U-shape cut-out

## Hinges Capacities

Number of hinges on one door	Max. weight	Max. width
2	45kg	762mm
3	68kg	915mm

NFK Glazing  
& Industrial Supplies

[www.nfk.com.au](http://www.nfk.com.au)

📍 28 Devlan Street,  
Mansfield, QLD 4122

☎ 07 3343 3377

✉ [sales@nfk.com.au](mailto:sales@nfk.com.au)

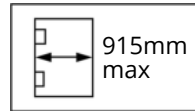
📍 42 Tacoma Circuit,  
Canning Vale, WA 6155

☎ 08 9455 3866

✉ [wasales@nfk.com.au](mailto:wasales@nfk.com.au)

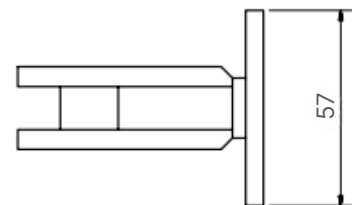
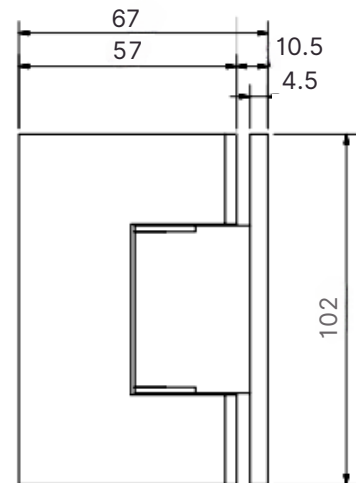
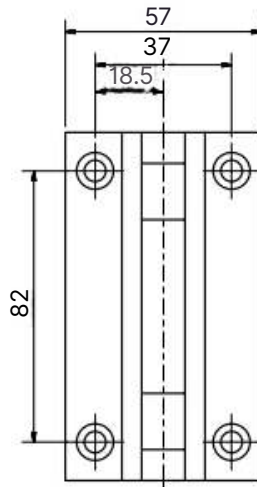
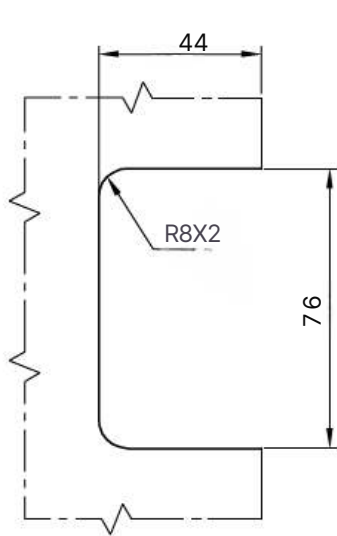


# T9 Wall to Glass 90° Full Back Plate



Premium quality square wall to glass hinge with full back plate

FINISH	CODE
Bright Chrome	19-SH/901C
Satin Chrome	Contact NFK
Gold	Contact NFK



NFK Glazing & Industrial Supplies

[www.nfk.com.au](http://www.nfk.com.au)

28 Devlan Street, Mansfield, QLD 4122

07 3343 3377

[sales@nfk.com.au](mailto:sales@nfk.com.au)

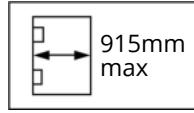
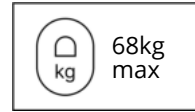
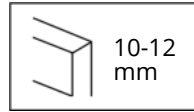
42 Tacoma Circuit, Canning Vale, WA 6155

08 9455 3866

[wasales@nfk.com.au](mailto:wasales@nfk.com.au)

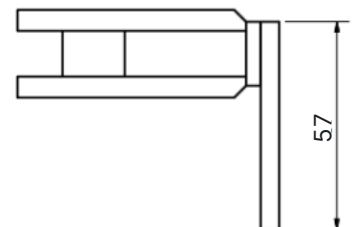
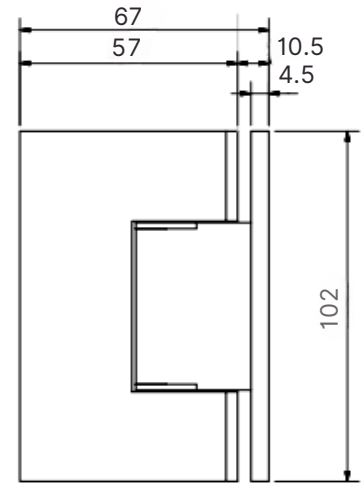
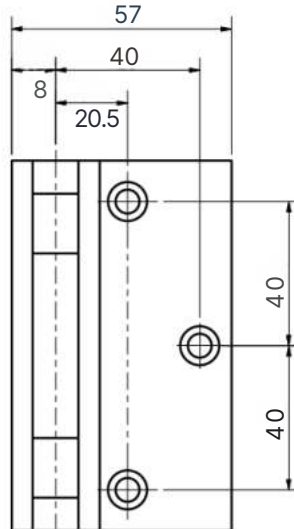
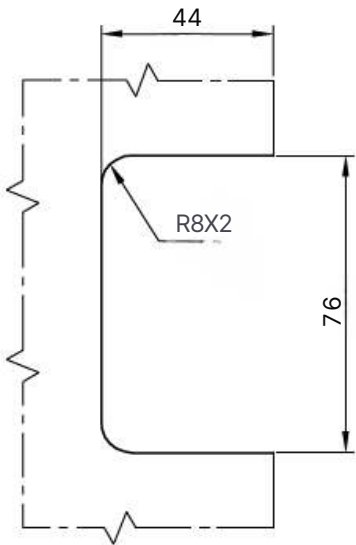


## T9 Wall to Glass 90° Offset Back Plate



Premium quality square wall to glass hinge with offset back plate

FINISH	CODE
Bright Chrome	19-SH/900C
Satin Chrome	Contact NFK
Gold	Contact NFK



NFK Glazing  
& Industrial Supplies

[www.nfk.com.au](http://www.nfk.com.au)

28 Devlan Street,  
Mansfield, QLD 4122

07 3343 3377

[sales@nfk.com.au](mailto:sales@nfk.com.au)

42 Tacoma Circuit,  
Canning Vale, WA 6155



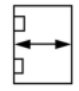

08 9455 3866

[wasaless@nfk.com.au](mailto:wasaless@nfk.com.au)



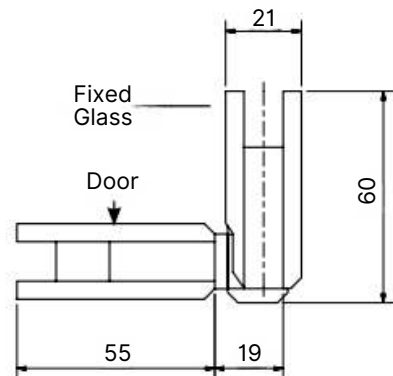
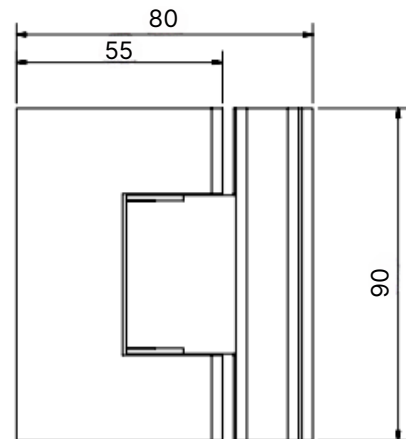
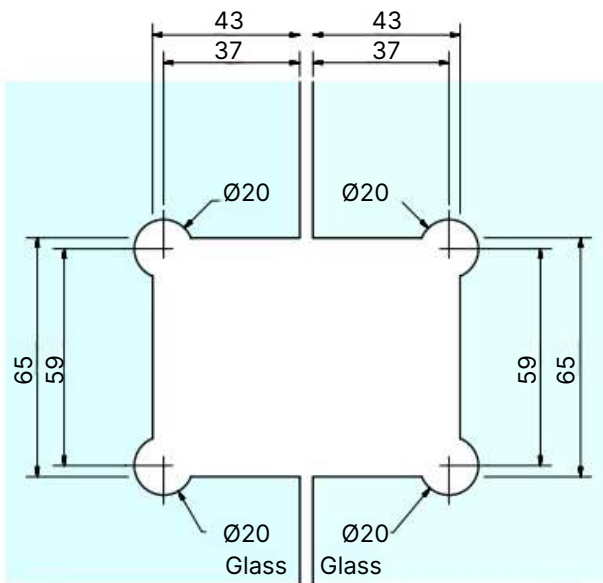
# T9 Glass to Glass 90°



 8-10 mm	 35kg max
 762mm max	 cut out

Premium quality square glass to glass hinge 90°

FINISH	CODE
Bright Chrome	19-SH/037
Other finishes	Contact NFK



NFK Glazing & Industrial Supplies

[www.nfk.com.au](http://www.nfk.com.au)

28 Devlan Street, Mansfield, QLD 4122

07 3343 3377

[sales@nfk.com.au](mailto:sales@nfk.com.au)

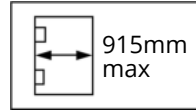
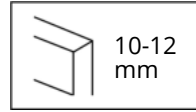
42 Tacoma Circuit, Canning Vale, WA 6155

08 9455 3866

[wasaless@nfk.com.au](mailto:wasaless@nfk.com.au)

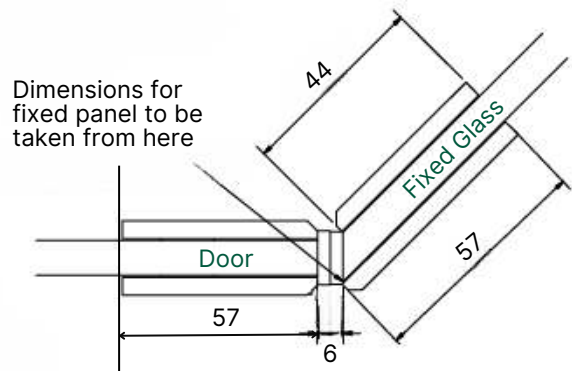
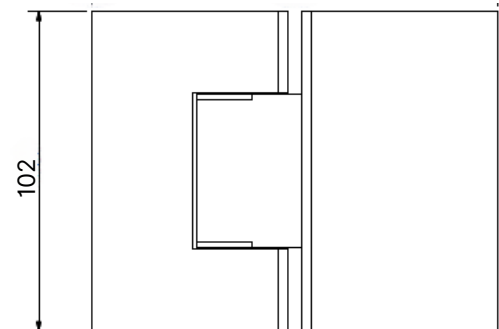
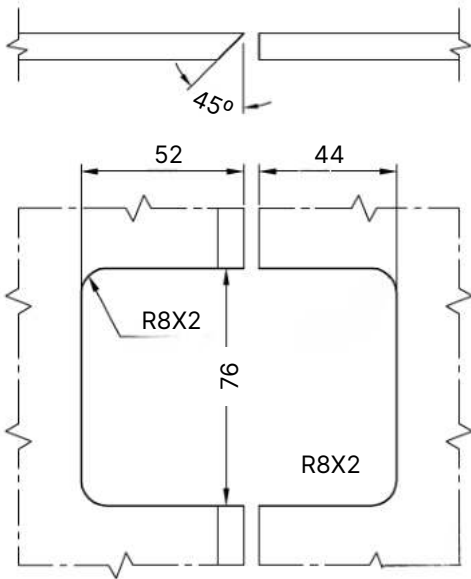


## T9 Glass to Glass 135°



Premium quality square glass to glass hinge 135°

FINISH	CODE
Bright Chrome	19-SH/905C
Satin Chrome	Contact NFK
Gold	Contact NFK



NFK Glazing  
& Industrial Supplies

[www.nfk.com.au](http://www.nfk.com.au)

28 Devlan Street,  
Mansfield, QLD 4122

07 3343 3377

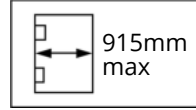
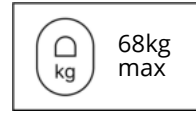
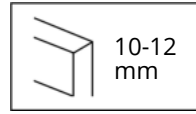
[sales@nfk.com.au](mailto:sales@nfk.com.au)

42 Tacoma Circuit,  
Canning Vale, WA 6155

08 9455 3866

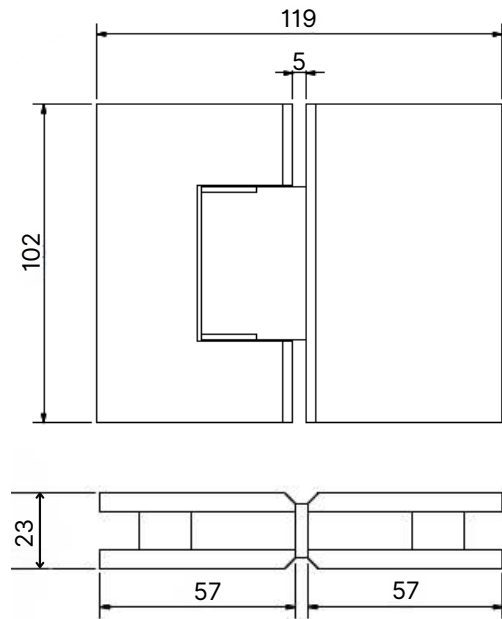
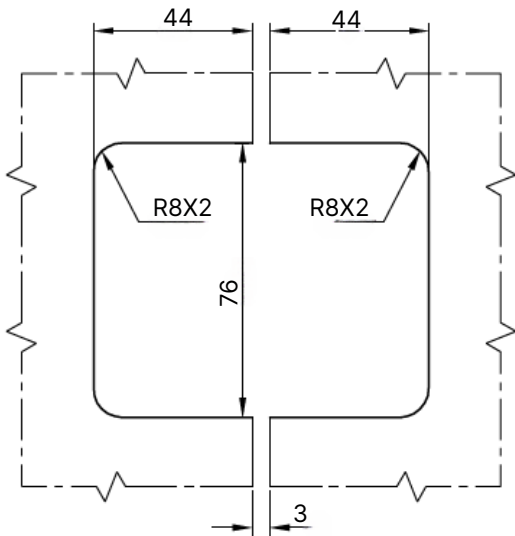
[wasales@nfk.com.au](mailto:wasales@nfk.com.au)

# T9 Glass to Glass 180°



Premium quality square glass to glass hinge 180°

FINISH	CODE
Bright Chrome	19-SH/903C
Satin Chrome	Contact NFK
Gold	Contact NFK



NFK Glazing  
& Industrial Supplies

[www.nfk.com.au](http://www.nfk.com.au)

28 Devlan Street,  
Mansfield, QLD 4122

07 3343 3377

[sales@nfk.com.au](mailto:sales@nfk.com.au)

42 Tacoma Circuit,  
Canning Vale, WA 6155

08 9455 3866

[wasales@nfk.com.au](mailto:wasales@nfk.com.au)



# XT2 SERIES

MICRO-HINGES FOR SMALL  
DOORS

- ✓ High-quality manufactured hinges for light-weight doors
- ✓ Suits Rabbit Ear cut-out
- ✓ Suitable for 6-8 mm glass thickness

## Hinges Capacities

Number of hinges on one door	Max. weight	Max. width
2	28kg	710mm

NFK Glazing  
& Industrial Supplies

[www.nfk.com.au](http://www.nfk.com.au)

📍 28 Devlan Street,  
Mansfield, QLD 4122

☎ 07 3343 3377

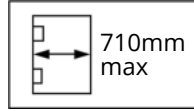
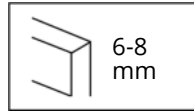
✉ [sales@nfk.com.au](mailto:sales@nfk.com.au)

📍 42 Tacoma Circuit,  
Canning Vale, WA 6155

☎ 08 9455 3866

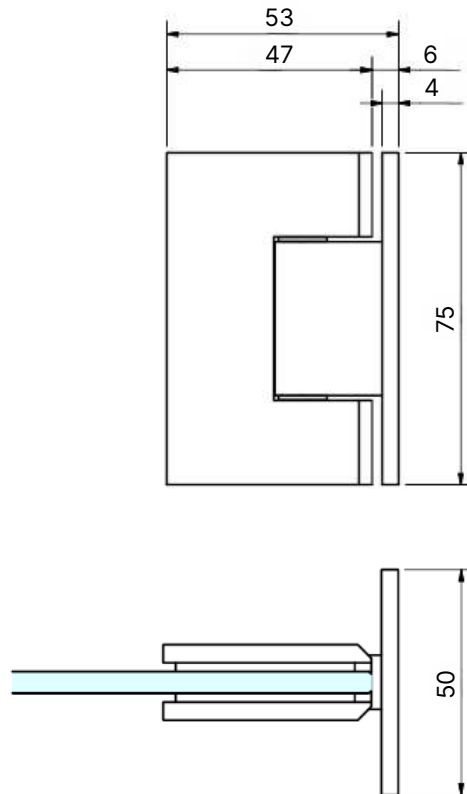
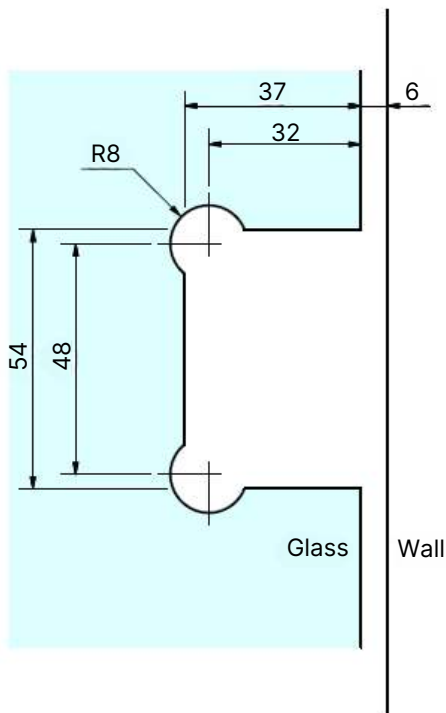
✉ [wasaless@nfk.com.au](mailto:wasaless@nfk.com.au)

## XT2 Wall to Glass 90° Full Back Plate

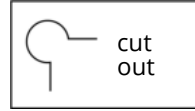
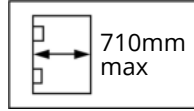
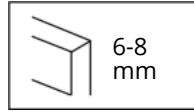


High-quality square wall to glass hinge with full back plate

FINISH	CODE
Chrome	19-SH/030
Other finishes	Contact NFK

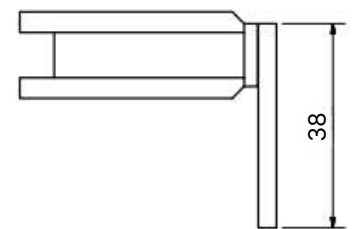
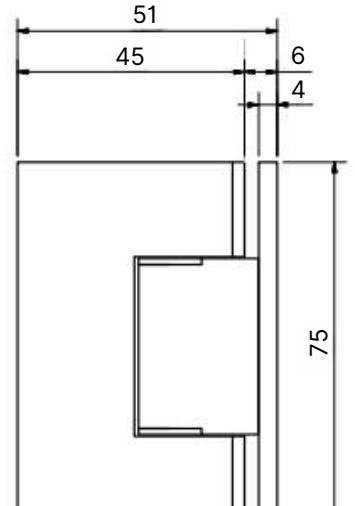
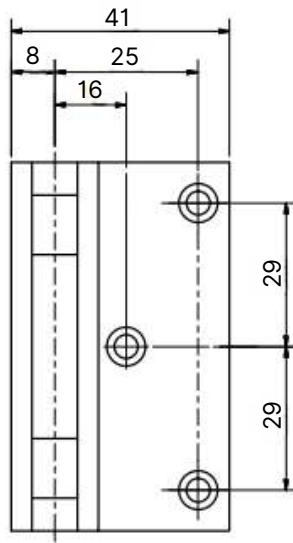
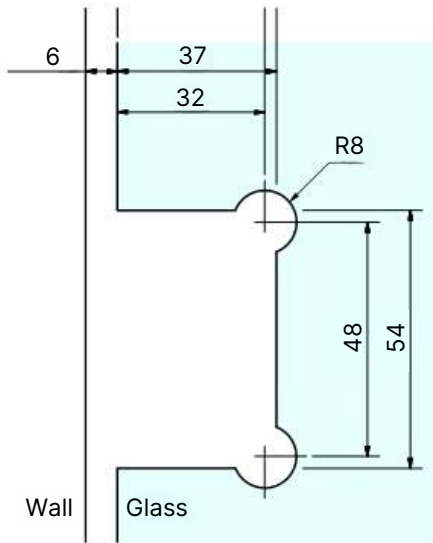


## XT2 Wall to Glass 90° Offset Back Plate



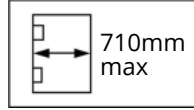
High-quality square wall to glass hinge with offset back plate

FINISH	CODE
Chrome	19-SH/032C
Other finishes	Contact NFK



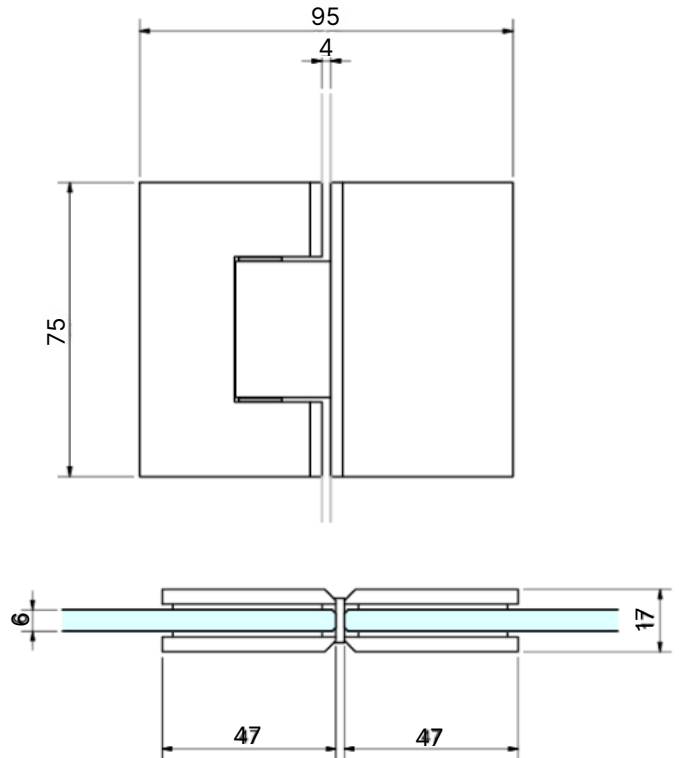
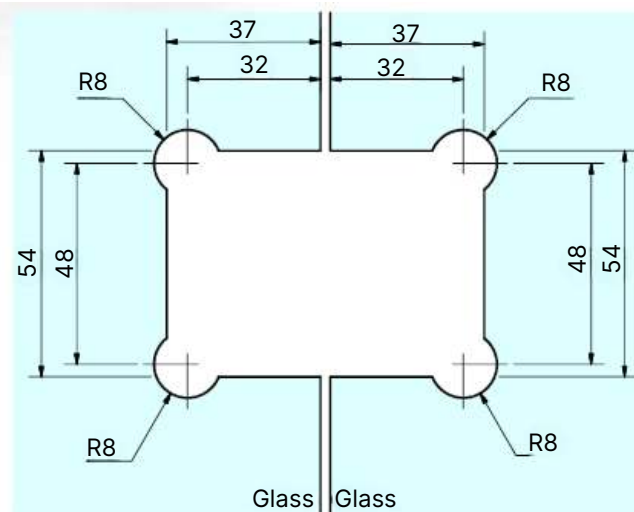


## XT2 Glass to Glass 180°



High-quality square wall to glass hinge with offset back plate

FINISH	CODE
Chrome	19-SH/031C
Other finishes	Contact NFK



NFK Glazing  
& Industrial Supplies

[www.nfk.com.au](http://www.nfk.com.au)

28 Devlan Street,  
Mansfield, QLD 4122

07 3343 3377

[sales@nfk.com.au](mailto:sales@nfk.com.au)

42 Tacoma Circuit,  
Canning Vale, WA 6155

08 9455 3866

[wasaless@nfk.com.au](mailto:wasaless@nfk.com.au)



# MICRO-FLEX SERIES

ADJUSTABLE MICRO-HINGES

- ✓ Italian designed and manufactured
- ✓ Closing position can be adjusted with the door hung
- ✓ Suits Rabbit Ear cut-out
- ✓ Suitable for 6-10 mm glass thickness

## Hinges Capacities

Number of hinges on one door	Max. weight	Max. width
2	35kg	700mm

NFK Glazing  
& Industrial Supplies

[www.nfk.com.au](http://www.nfk.com.au)

28 Devlan Street,  
Mansfield, QLD 4122

07 3343 3377

[sales@nfk.com.au](mailto:sales@nfk.com.au)

42 Tacoma Circuit,  
Canning Vale, WA 6155

08 9455 3866

[wasales@nfk.com.au](mailto:wasales@nfk.com.au)



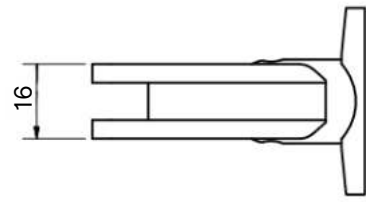
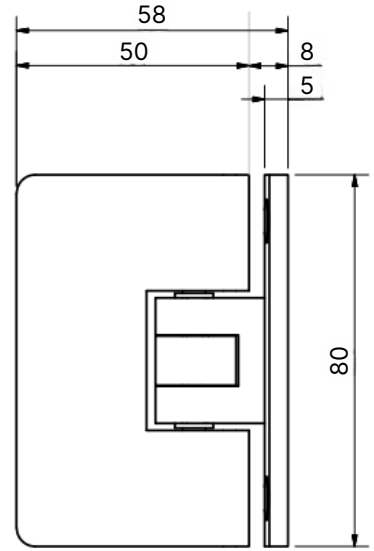
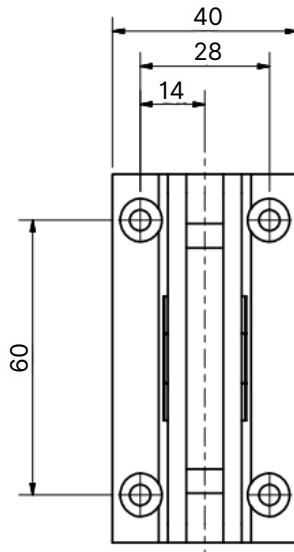
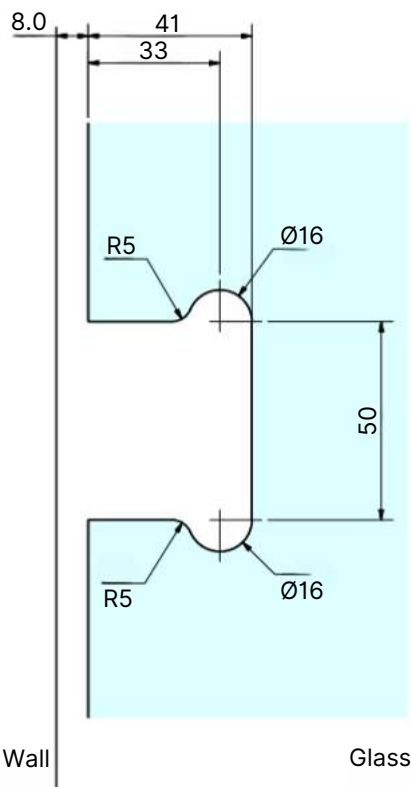
# MicroFlex Wall to Glass Full Back Plate



6-10 mm	35kg max
700mm max	cut out

High-quality wall to glass hinge with full back plate

FINISH	CODE
Bright Chrome	19-005
Satin Chrome	19-006
Gold	Contact NFK



NFK Glazing & Industrial Supplies

[www.nfk.com.au](http://www.nfk.com.au)

28 Devlan Street, Mansfield, QLD 4122

07 3343 3377

[sales@nfk.com.au](mailto:sales@nfk.com.au)

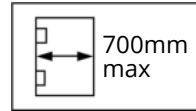
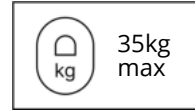
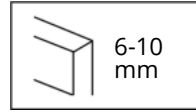
42 Tacoma Circuit, Canning Vale, WA 6155

08 9455 3866

[wasales@nfk.com.au](mailto:wasales@nfk.com.au)

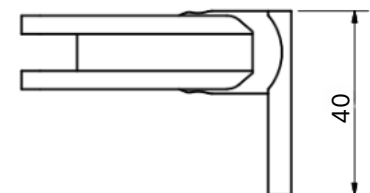
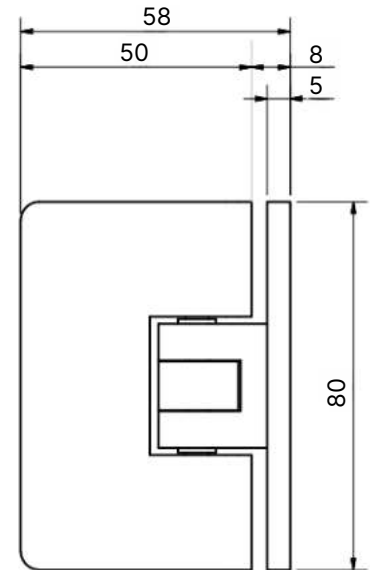
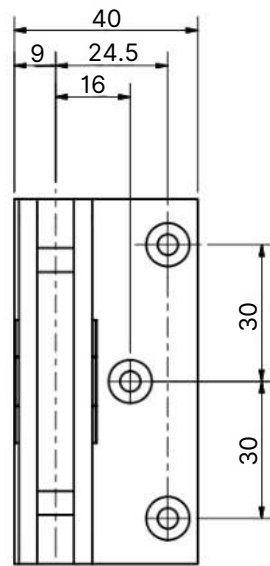
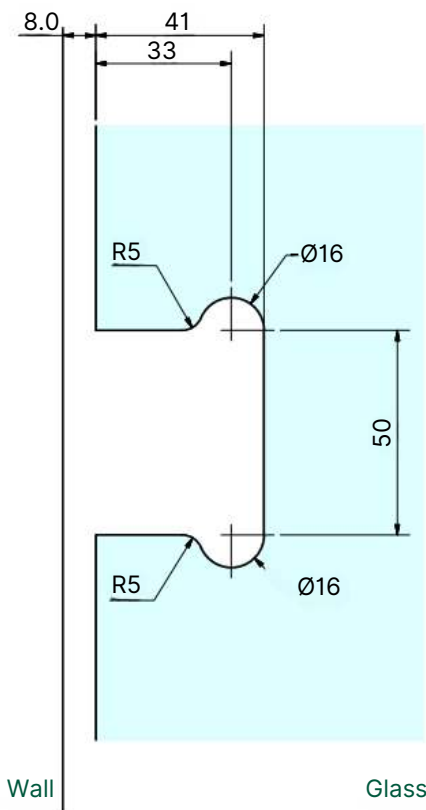


# MicroFlex Wall to Glass Offset Back Plate



High-quality wall to glass hinge with offset back plate

FINISH	CODE
Bright Chrome	19-007
Satin Chrome	19-008
Gold	Contact NFK



NFK Glazing & Industrial Supplies

[www.nfk.com.au](http://www.nfk.com.au)

28 Devlan Street, Mansfield, QLD 4122

07 3343 3377

[sales@nfk.com.au](mailto:sales@nfk.com.au)

42 Tacoma Circuit, Canning Vale, WA 6155

08 9455 3866

[wasales@nfk.com.au](mailto:wasales@nfk.com.au)



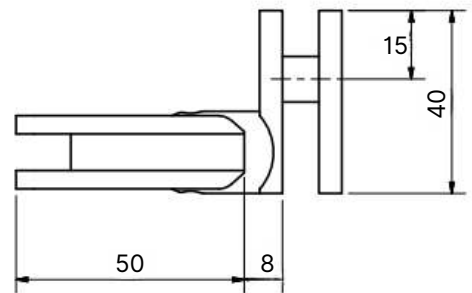
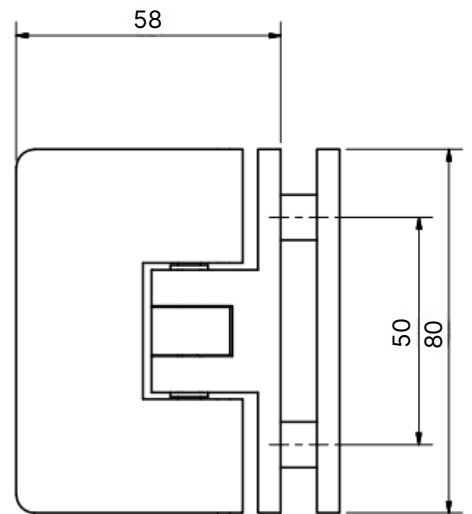
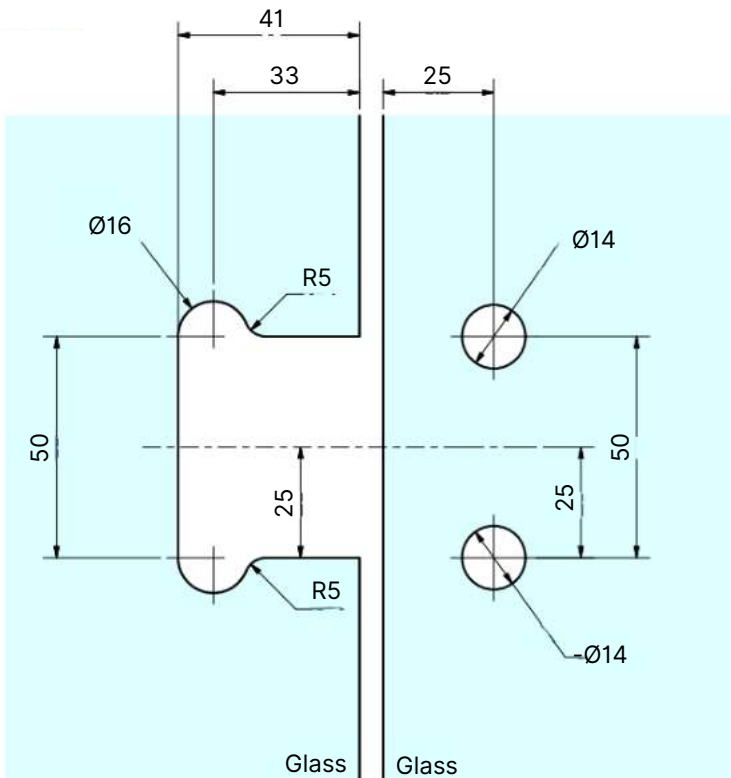
# MicroFlex Glass to Glass 90°



6-10 mm	35kg max
700mm max	cut out

High-quality glass-to-glass hinge 90°

FINISH	CODE
Bright Chrome	19-003
Satin Chrome	19-004
Gold	Contact NFK



NFK Glazing & Industrial Supplies

[www.nfk.com.au](http://www.nfk.com.au)

28 Devlan Street, Mansfield, QLD 4122

07 3343 3377

[sales@nfk.com.au](mailto:sales@nfk.com.au)

42 Tacoma Circuit, Canning Vale, WA 6155

08 9455 3866

[wasales@nfk.com.au](mailto:wasales@nfk.com.au)



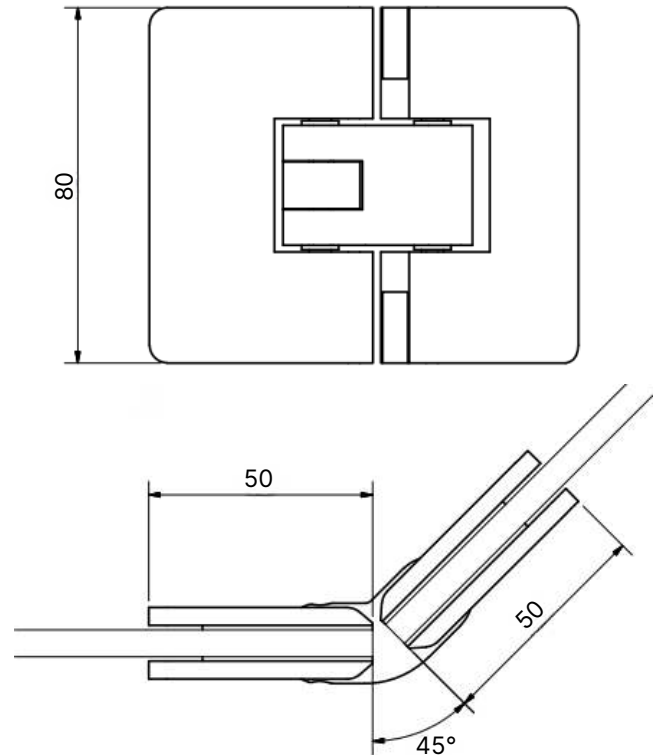
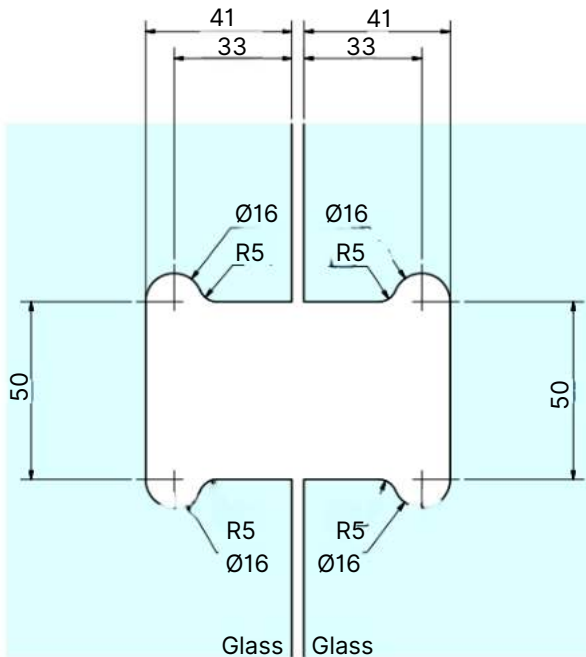
# MicroFlex Glass to Glass 135°



	6-10 mm		35kg max
	700mm max		cut out

High-quality glass-to-glass hinge 180°

FINISH	CODE
Bright Chrome	19-009
Satin Chrome	19-010
Gold	Contact NFK



NFK Glazing & Industrial Supplies

[www.nfk.com.au](http://www.nfk.com.au)

28 Devlan Street, Mansfield, QLD 4122

07 3343 3377

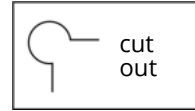
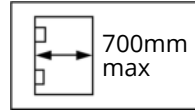
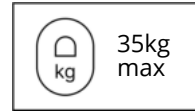
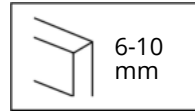
[sales@nfk.com.au](mailto:sales@nfk.com.au)

42 Tacoma Circuit, Canning Vale, WA 6155

08 9455 3866

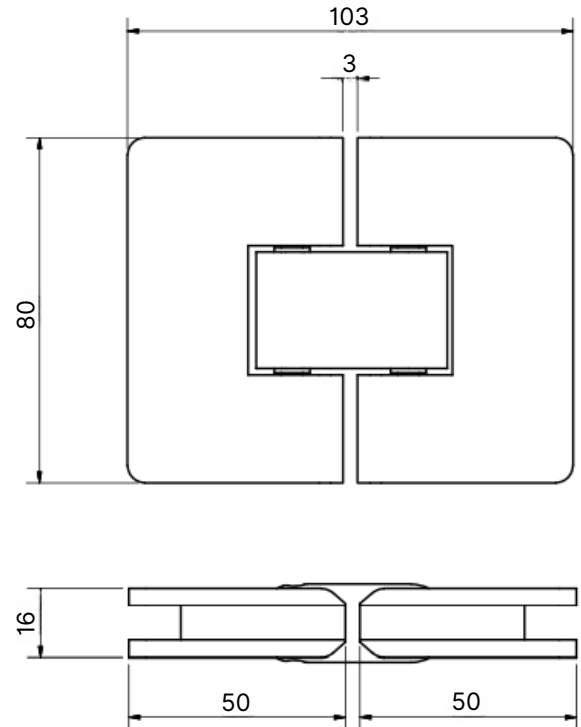
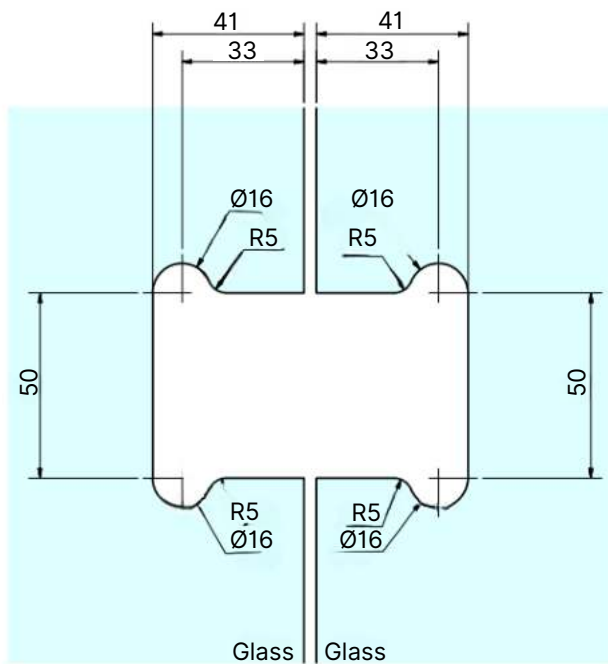
[wasaless@nfk.com.au](mailto:wasaless@nfk.com.au)

# MicroFlex Glass to Glass 180°



High-quality glass-to-glass hinge 180°

FINISH	CODE
Bright Chrome	19-001
Satin Chrome	19-002
Gold	Contact NFK



NFK Glazing  
& Industrial Supplies

[www.nfk.com.au](http://www.nfk.com.au)

28 Devlan Street,  
Mansfield, QLD 4122

07 3343 3377

[sales@nfk.com.au](mailto:sales@nfk.com.au)

42 Tacoma Circuit,  
Canning Vale, WA 6155

08 9455 3866

[wasales@nfk.com.au](mailto:wasales@nfk.com.au)



# BIFOLD-S SERIES

FREE-SWINGING HINGES

- ✓ High-quality manufactured hinges from chrome-plated brass
- ✓ Suitable for 6-10 mm glass thickness
- ✓ Square profile

## Hinges Capacities

Number of hinges on one door	Max. weight	Max. width
2	36kg	711mm
3	50kg	813mm

NFK Glazing  
& Industrial Supplies

[www.nfk.com.au](http://www.nfk.com.au)

📍 28 Devlan Street,  
Mansfield, QLD 4122

☎ 07 3343 3377

✉ [sales@nfk.com.au](mailto:sales@nfk.com.au)

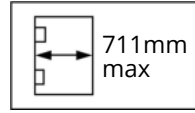
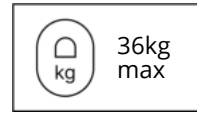
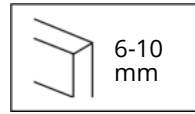
📍 42 Tacoma Circuit,  
Canning Vale, WA 6155

☎ 08 9455 3866

✉ [wasaless@nfk.com.au](mailto:wasaless@nfk.com.au)

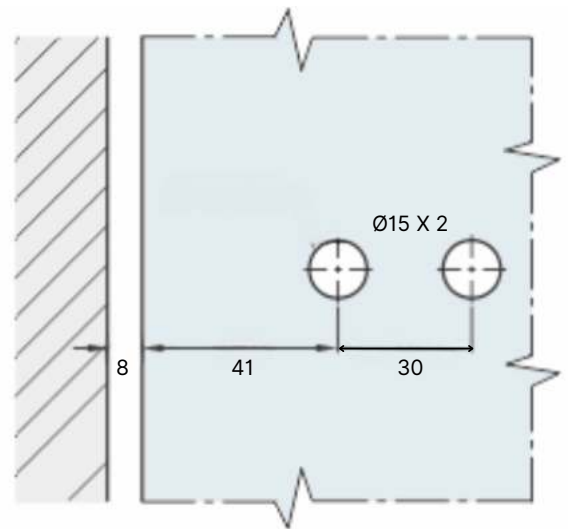
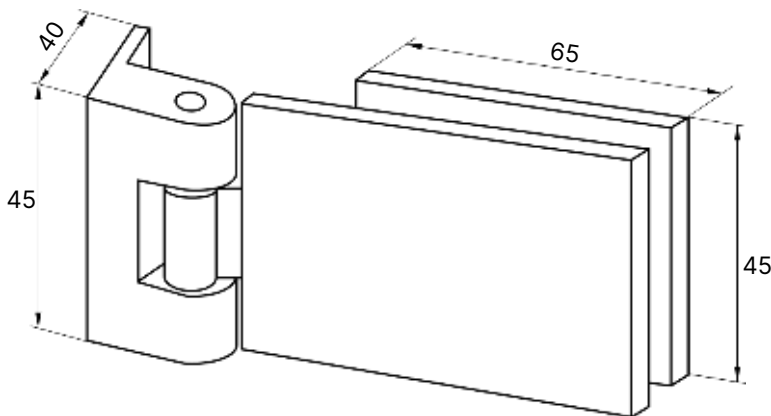


## BiFold-S Wall to Glass Offset Free-Swinging





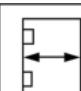

- High-quality wall-to-glass free-swinging hinge
- Glass processing requires two 15mm holes

FINISH	CODE
Chrome	19-SH/101C



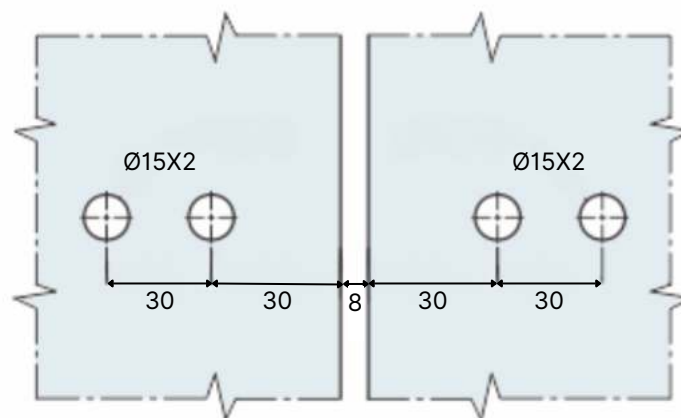
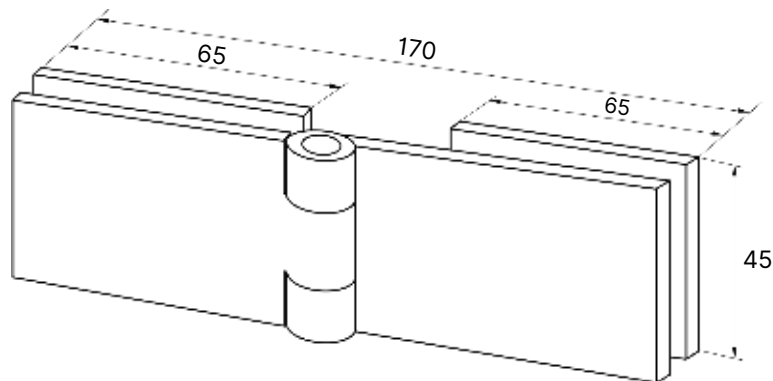
## BiFold-S Glass to Glass 180° Free-Swinging



 6-10 mm	 36kg max
 711mm max	 2x15mm holes


- High-quality glass-to-glass free swing hinge
- Glass processing requires two 15mm holes in each glass panel

FINISH	CODE
Chrome	19-SH/103C



NFK Glazing  
& Industrial Supplies


[www.nfk.com.au](http://www.nfk.com.au)

 28 Devlan Street,  
Mansfield, QLD 4122

 07 3343 3377

 [sales@nfk.com.au](mailto:sales@nfk.com.au)

 42 Tacoma Circuit,  
Canning Vale, WA 6155

 08 9455 3866

 [wasales@nfk.com.au](mailto:wasales@nfk.com.au)



# BIFOLD-R SERIES

FREE-SWINGING HINGES

- ✓ High-quality manufactured hinges from chrome-plated brass
- ✓ Suitable for 6-10 mm glass thickness
- ✓ Round profile

## Hinges Capacities

Number of hinges on one door	Max. weight	Max. width
2	20kg	700mm

NFK Glazing  
& Industrial Supplies

[www.nfk.com.au](http://www.nfk.com.au)

📍 28 Devlan Street,  
Mansfield, QLD 4122

☎ 07 3343 3377

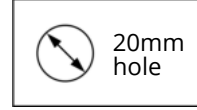
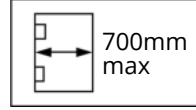
✉ [sales@nfk.com.au](mailto:sales@nfk.com.au)

📍 42 Tacoma Circuit,  
Canning Vale, WA 6155

☎ 08 9455 3866

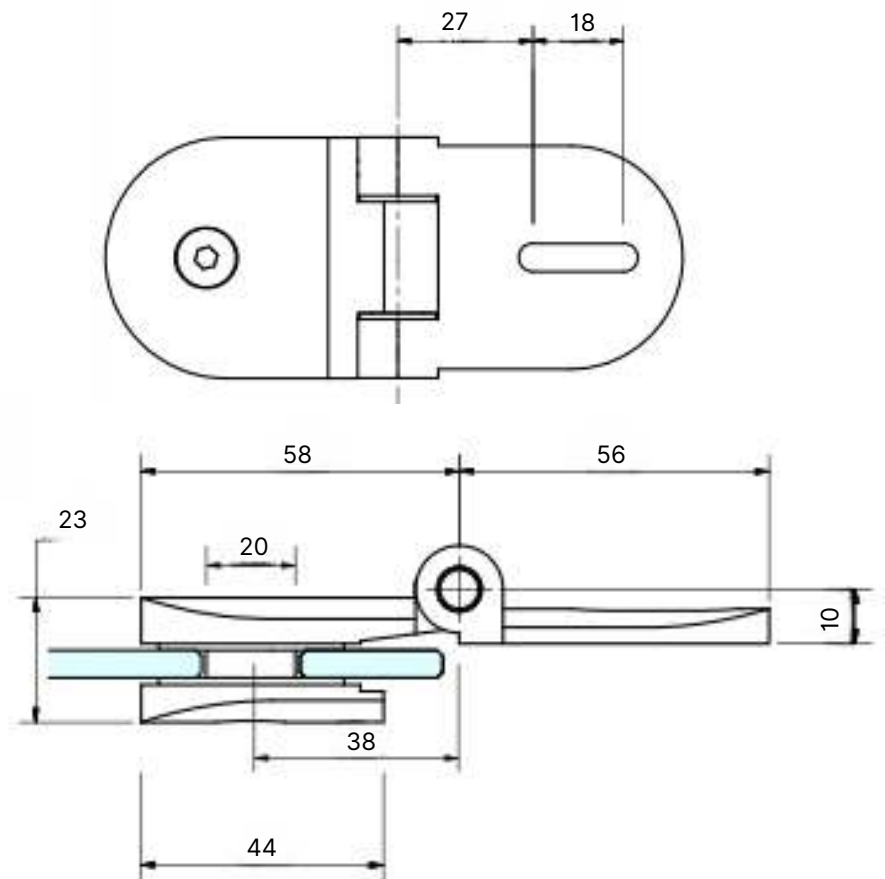
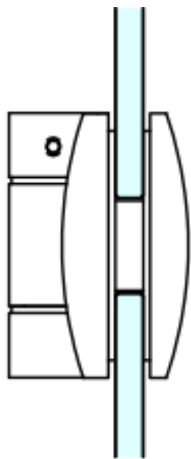
✉ [wasales@nfk.com.au](mailto:wasales@nfk.com.au)

## BiFold-R Wall to Glass Free Swing



- High-quality wall-to-glass free swing hinge
- Glass processing requires 20mm hole

FINISH	CODE
Chrome	19-SH/022
Satin	19-SH/020SS



NFK Glazing  
& Industrial Supplies

[www.nfk.com.au](http://www.nfk.com.au)

28 Devlan Street,  
Mansfield, QLD 4122

07 3343 3377

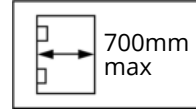
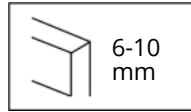
[sales@nfk.com.au](mailto:sales@nfk.com.au)

42 Tacoma Circuit,  
Canning Vale, WA 6155

08 9455 3866

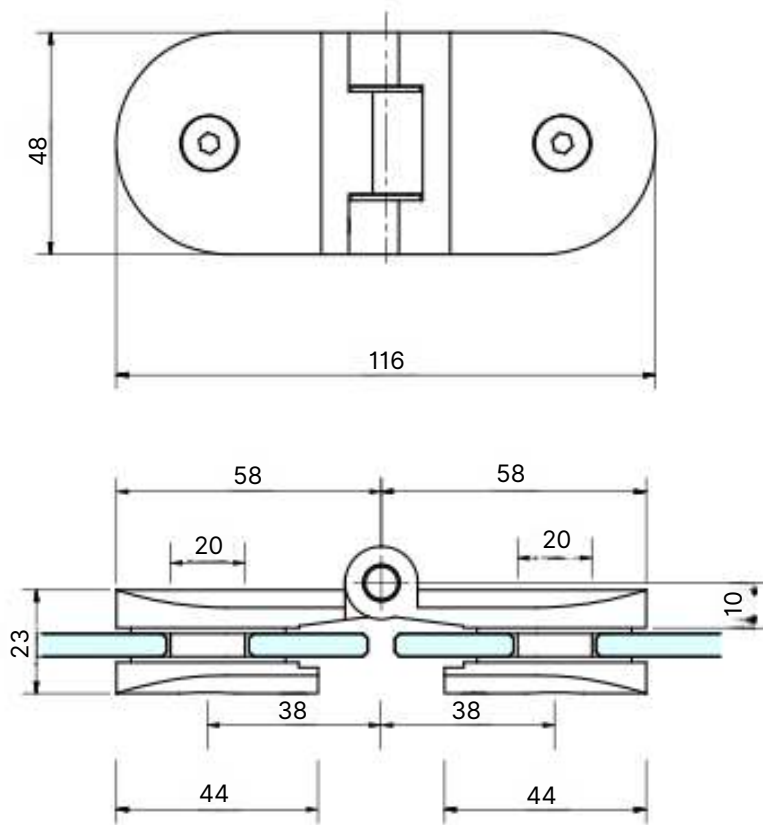
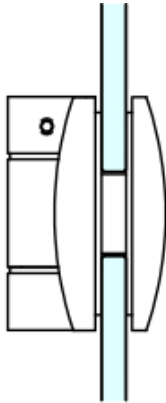
[wasales@nfk.com.au](mailto:wasales@nfk.com.au)

## BiFold Glass to Glass Free Swing



High-quality glass-to-glass free swing hinge

FINISH	CODE
Chrome	19-SH/021



NFK Glazing  
& Industrial Supplies

[www.nfk.com.au](http://www.nfk.com.au)

28 Devlan Street,  
Mansfield, QLD 4122

07 3343 3377

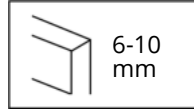
[sales@nfk.com.au](mailto:sales@nfk.com.au)

42 Tacoma Circuit,  
Canning Vale, WA 6155

08 9455 3866

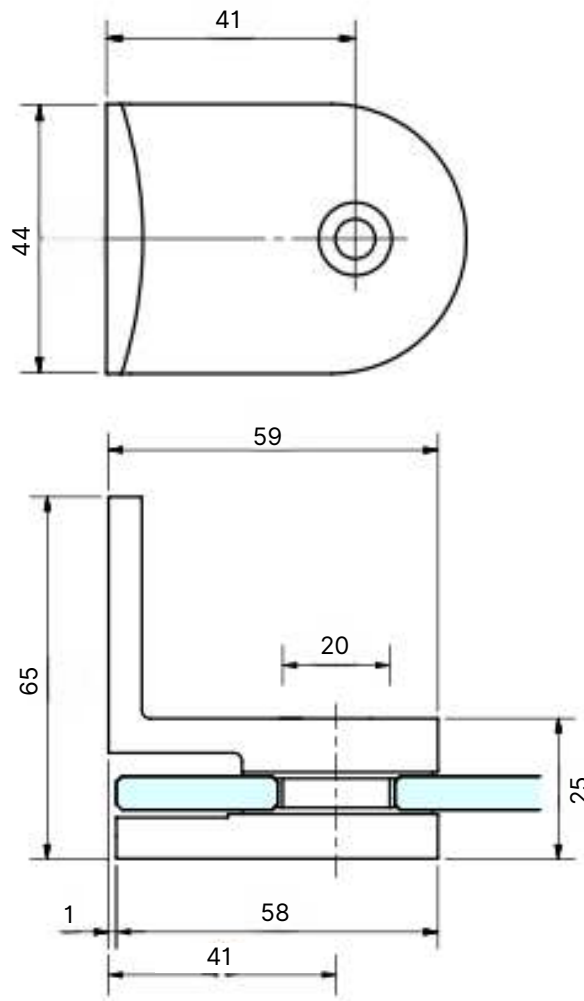
[wasaless@nfk.com.au](mailto:wasaless@nfk.com.au)

## BiFold Wall to Glass Bracket Round Profile



Wall to Glass Bracket BiFold series to suit BiFold hinges

FINISH	CODE
Chrome	19-SH/020



NFK Glazing  
& Industrial Supplies

[www.nfk.com.au](http://www.nfk.com.au)

28 Devlan Street,  
Mansfield, QLD 4122

07 3343 3377

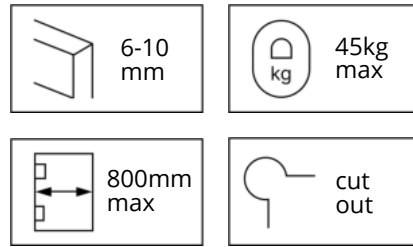
[sales@nfk.com.au](mailto:sales@nfk.com.au)

42 Tacoma Circuit,  
Canning Vale, WA 6155

08 9455 3866

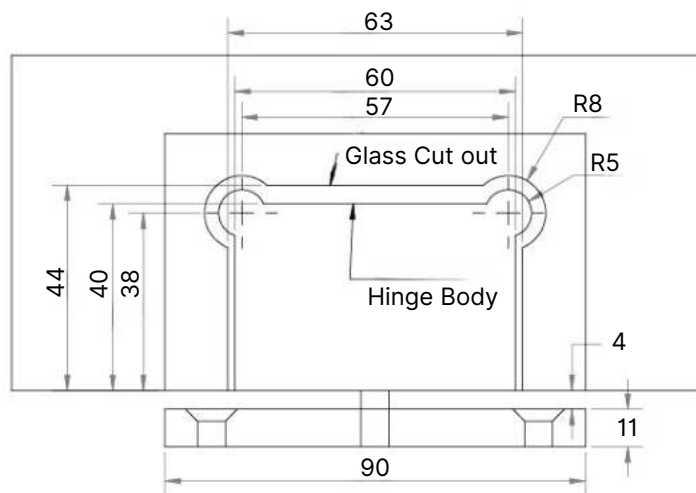
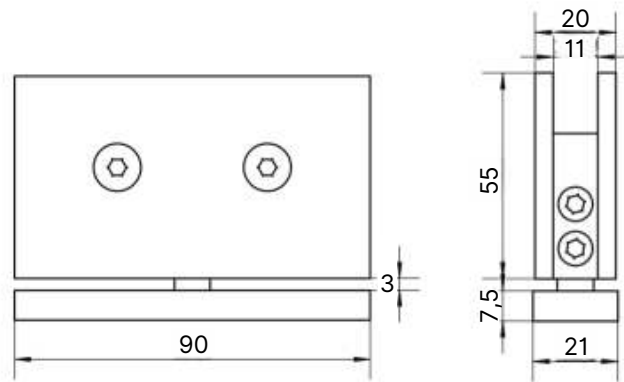
[wasales@nfk.com.au](mailto:wasales@nfk.com.au)

## C8 Pivot Hinge Square Profile



Dual action pivot hinge. Self-closing from approx. 25°

FINISH	CODE
Polished Chrome	19-SH/1020





# BRACKETS

- U-SHAPE BRACKETS,
- U-BRACKET WITH A SIDE LEG/OFFSET FIXING LEG,
- SQUARE BRACKETS,
- SQUARE BRACKETS WITH SIDE LEG,
- BRACE BRACKETS,
- SLEEVE OVER CLAMP

- ✓ Round profile / Square profile / Square profile with rounded corners
- ✓ Wall-to-glass / Fixed Glass-to-glass brackets
- ✓ Manufactured from high-quality brass

- ✓ High-quality components and surface finish
- ✓ Suitable for 6-12 mm glass thickness

NFK Glazing  
& Industrial Supplies

[www.nfk.com.au](http://www.nfk.com.au)

📍 28 Devlan Street,  
Mansfield, QLD 4122

☎ 07 3343 3377

✉ [sales@nfk.com.au](mailto:sales@nfk.com.au)

📍 42 Tacoma Circuit,  
Canning Vale, WA 6155

☎ 08 9455 3866

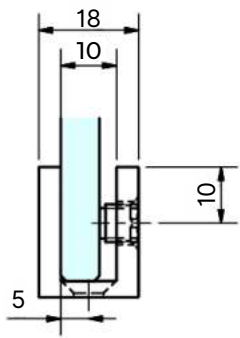
✉ [wasales@nfk.com.au](mailto:wasales@nfk.com.au)



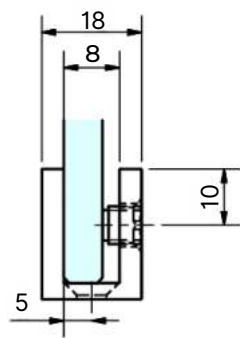
## U-bracket Wall to Glass Square Profile



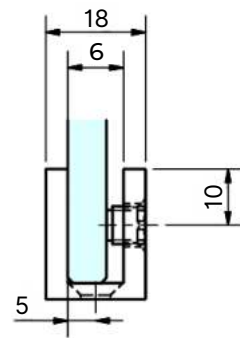
Finish	Glass Thickness	Code
Chrome	6mm	19-SH/AA-FHB6SQ
Matt Black	6mm	19-SH/AA-FHB6SQMB
Chrome	8mm	19-SH/AA-FHB8SQ
Chrome	10mm	19-SH/AA-FHB10SQ
Matt Black	10mm	19-SH/AA-FHB10SQMBL
Brushed Nickel	10mm	19-SH/AA-FHB10SQBN
Brushed Brass (Gold)	10mm	19-SH/AA-FHB10SQBG
Chrome	12mm	19-SH/AA-FHB12SQ



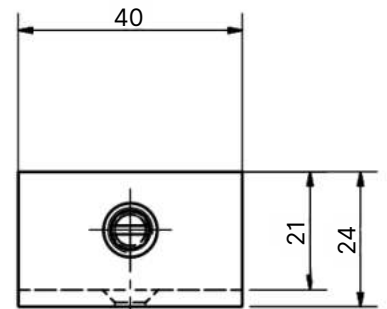
Bracket for 10mm glass thickness



Bracket for 8mm glass thickness



Bracket for 6mm glass thickness



NFK Glazing  
& Industrial Supplies

[www.nfk.com.au](http://www.nfk.com.au)

28 Devlan Street,  
Mansfield, QLD 4122

07 3343 3377

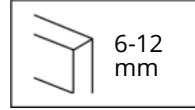
[sales@nfk.com.au](mailto:sales@nfk.com.au)

42 Tacoma Circuit,  
Canning Vale, WA 6155

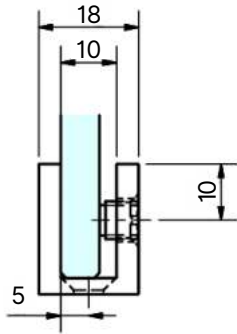
08 9455 3866

[wasales@nfk.com.au](mailto:wasales@nfk.com.au)

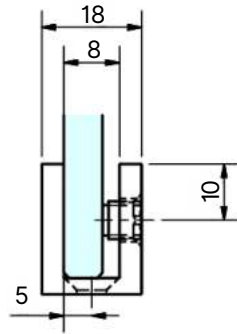
## U-bracket Wall to Glass Square Profile and Round Corners



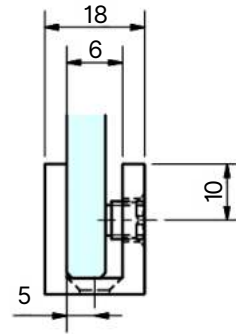
Finish	Glass Thickness	Code
Chrome	6mm	19-SH/AA-FHB6
Chrome	8mm	19-SH/AA-FHB8
Chrome	10mm	19-SH/AA-FHB10
Chrome	12mm	19-SH/AA-FHB12



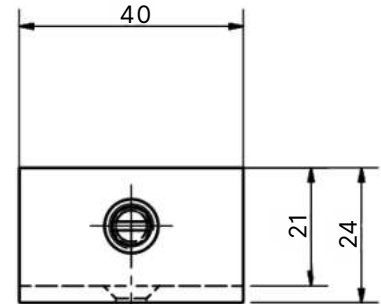
Bracket for 10mm glass thickness



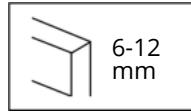
Bracket for 8mm glass thickness



Bracket for 6mm glass thickness

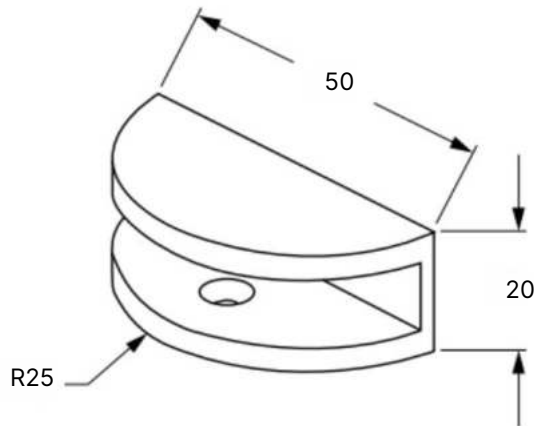


## U-bracket Wall to Glass Round Profile

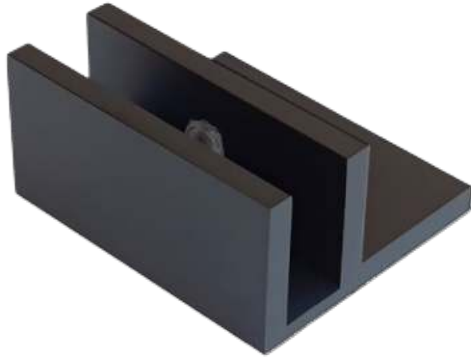


- 90-degree glass-to-floor or wall connection
- One fixing hole

Finish	Glass Thickness	Code
Chrome	6mm	19-SH/AA-SB6
Chrome	10mm	19-SH/AA-SB10
Chrome	12mm	19-SH/AA-SB12

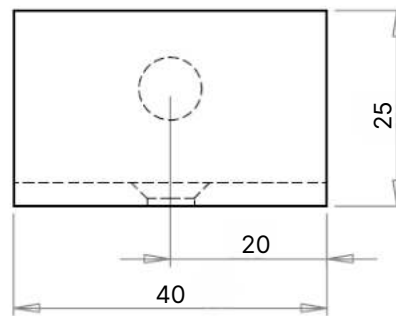
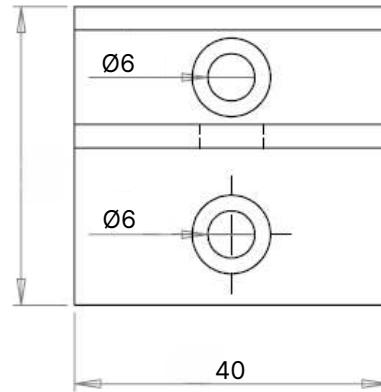
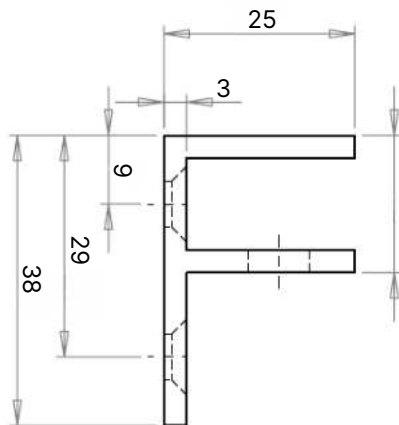


## U-bracket Wall to Glass Square Profile with a Side Leg



90-degree glass-to-floor/wall connection

Finish	Glass Thickness	Code	Finish	Glass Thickness	Code
Chrome	6mm	19-SH/AA-FHB6SLSQ	Matt Black	10mm	19-SH/AA-FHB10SLSQMBL
Chrome	10mm	19-SH/AA-FHB10SLSQ	Brushed Nickel	10mm	19-SH/AA-FHB10SLSQBN
Chrome	12mm	19-SH/AA-FHB12SLSQ	Brushed Brass/Gold	10mm	19-SH/AA-FHB10SLSQBG



NFK Glazing  
& Industrial Supplies

[www.nfk.com.au](http://www.nfk.com.au)

28 Devlan Street,  
Mansfield, QLD 4122

07 3343 3377

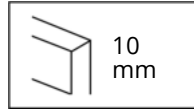
[sales@nfk.com.au](mailto:sales@nfk.com.au)

42 Tacoma Circuit,  
Canning Vale, WA 6155

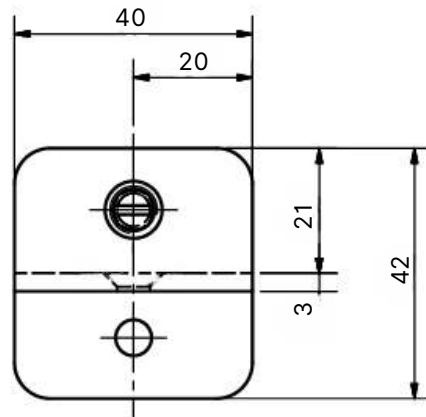
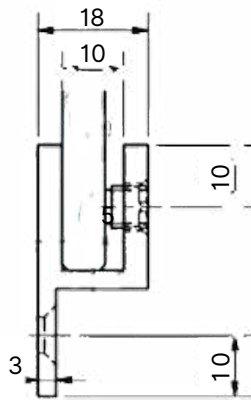
08 9455 3866

[wasales@nfk.com.au](mailto:wasales@nfk.com.au)

## U-bracket Wall to Glass Square Profile and Rounded Corners with a Bottom Leg



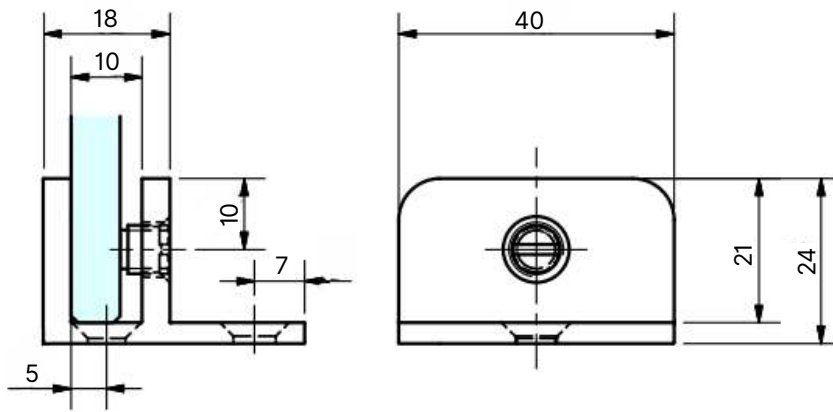
Finish	Code
Chrome	19-SH/AA-FHB10BL



## U-bracket Wall to Glass Square Profile and Rounded Corners with a Side Leg



Finish	Code
Chrome	19-SH/AA-FHB10SL



NFK Glazing  
& Industrial Supplies

[www.nfk.com.au](http://www.nfk.com.au)

28 Devlan Street,  
Mansfield, QLD 4122

07 3343 3377

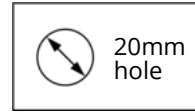
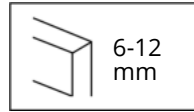
[sales@nfk.com.au](mailto:sales@nfk.com.au)

42 Tacoma Circuit,  
Canning Vale, WA 6155

08 9455 3866

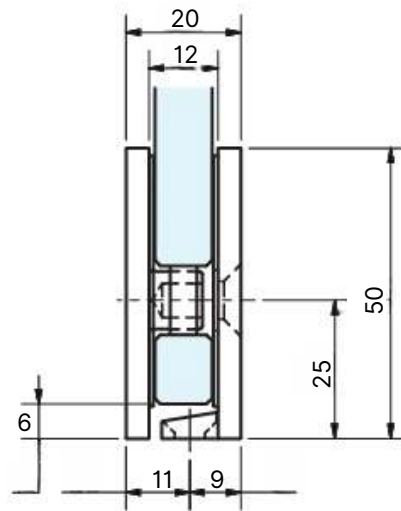
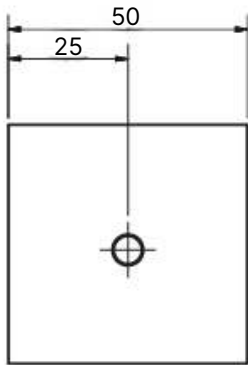
[wasales@nfk.com.au](mailto:wasales@nfk.com.au)

## Square Bracket Wall to Glass Square Profile

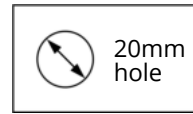
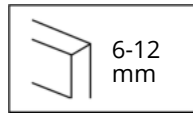


- Square bracket glass-to-wall mechanical fixing 90°
- Designed to secure fixed glass panels for frameless shower screens

Finish	Code
Chrome	19-SH/BWGS-C
Matt Black	19-SH/BWGS-MB
Brushed Nickel	19-SH/BWGS-BN
Brushed Brass (Gold)	19-SH/BWGS-BG

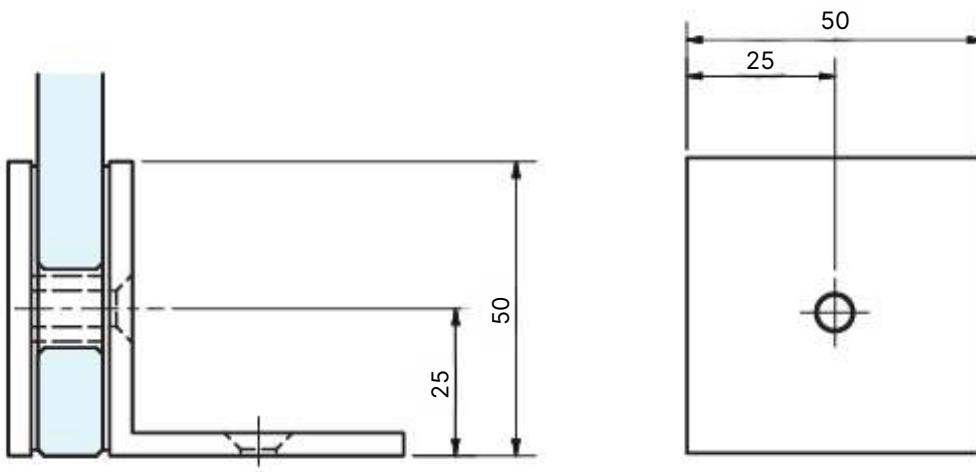


## Square Bracket Wall to Glass Leg



- Square Glass-To-Wall bracket with large leg mechanical fixing 90°
- Designed to secure fixed glass panels for frameless shower screens

Finish	Code
Chrome	19-SH/BWGS-C-SL
Matt Black	19-SH/BWGS-MB-SL
Brushed Nickel	19-SH/BWGS-BN-SL
Brushed Brass (Gold)	19-SH/BWGS-BG-SL



NFK Glazing  
& Industrial Supplies

[www.nfk.com.au](http://www.nfk.com.au)

28 Devlan Street,  
Mansfield, QLD 4122

07 3343 3377

[sales@nfk.com.au](mailto:sales@nfk.com.au)

42 Tacoma Circuit,  
Canning Vale, WA 6155

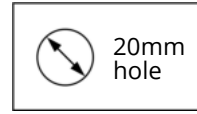
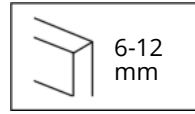
08 9455 3866

[wasales@nfk.com.au](mailto:wasales@nfk.com.au)



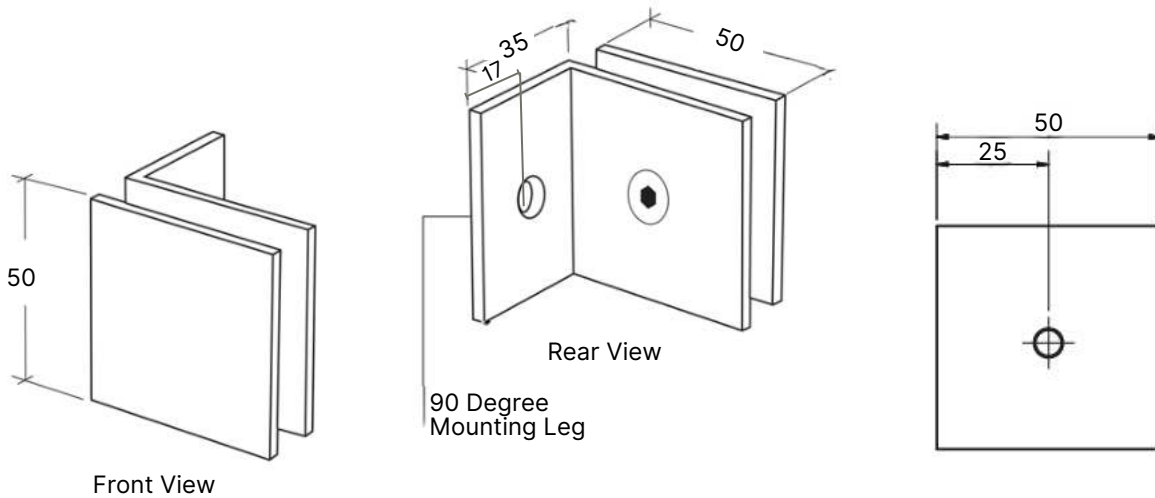
## Square Bracket Wall to Glass Leg

## Square Profile with a Short Side

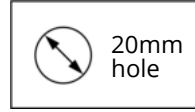


- Square Glass-To-Wall bracket with short leg mechanical fixing 90°
- Designed to secure fixed glass panels for frameless shower screens

Finish	Code
Chrome	19-SH/BWGS-SL-C-SHORT
Matt Black	19-SH/BWGS-SL-MB-SHORT
Brushed Nickel	19-SH/BWGS-SL-BN-SHORT

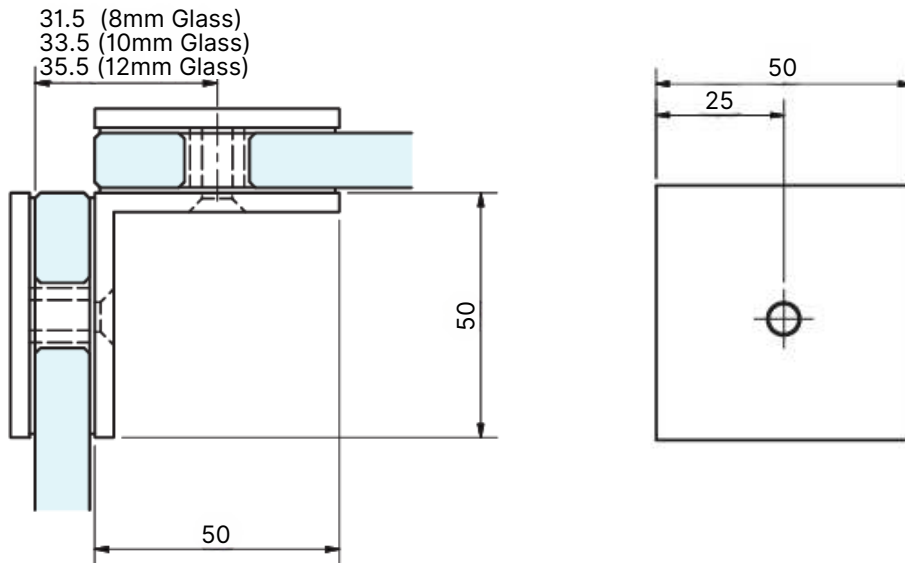


## Fixed 90° Glass to Glass Bracket Square Profile

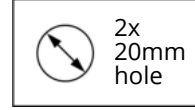


- Open-face square 90-degree glass clamp
- Designed to secure fixed glass panels for frameless shower applications

Finish	Code
Chrome	19-SH/BGG90S-C
Matt Black	19-SH/BGG90S-MB
Brushed Nickel	19-SH/BGG90S-BN
Brushed Brass (Gold)	19-SH/BGG90S-BG

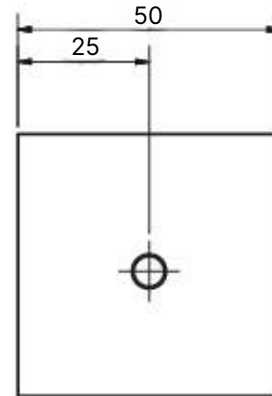
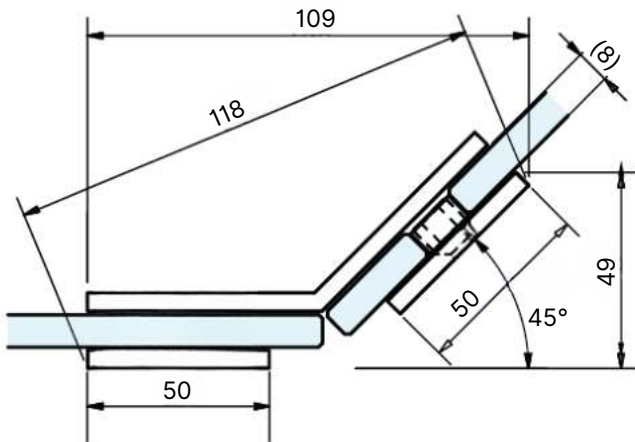


## Fixed 135° Glass to Glass Bracket Square Profile



Designed to secure fixed 135-degree inline glass panels together

Finish	Code
Chrome	19-SH/BGG135S-C
Matt Black	19-SH/BGG135S-MB
Other finishes	upon request



NFK Glazing  
& Industrial Supplies

[www.nfk.com.au](http://www.nfk.com.au)

28 Devlan Street,  
Mansfield, QLD 4122

07 3343 3377

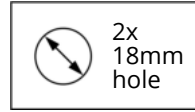
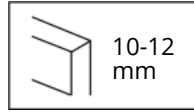
[sales@nfk.com.au](mailto:sales@nfk.com.au)

42 Tacoma Circuit,  
Canning Vale, WA 6155

08 9455 3866

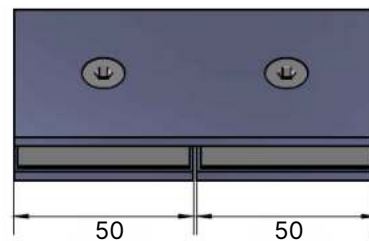
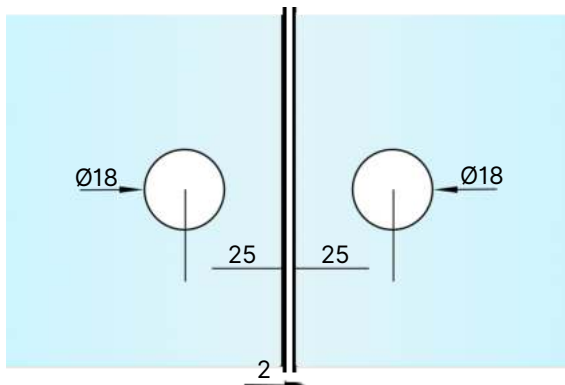
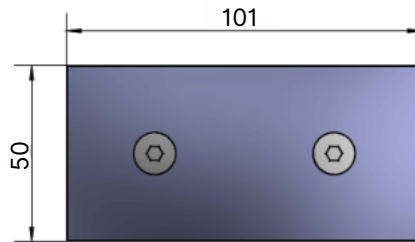
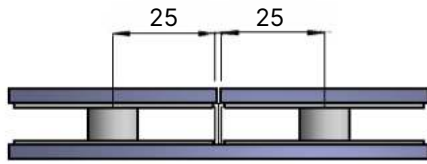
[wasales@nfk.com.au](mailto:wasales@nfk.com.au)

## Fixed 180° Glass to Glass Bracket Square Profile



Designed to secure fixed 180-degree inline glass panels together

Finish	Code
Chrome	19-SH/BGG180S-C
Matt Black	19-SH/BGG180S-MB
Brushed Nickel	19-SH/BGG180S-BN



NFK Glazing  
& Industrial Supplies

[www.nfk.com.au](http://www.nfk.com.au)

28 Devlan Street,  
Mansfield, QLD 4122

07 3343 3377

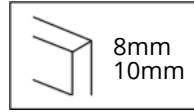
[sales@nfk.com.au](mailto:sales@nfk.com.au)

42 Tacoma Circuit,  
Canning Vale, WA 6155

08 9455 3866

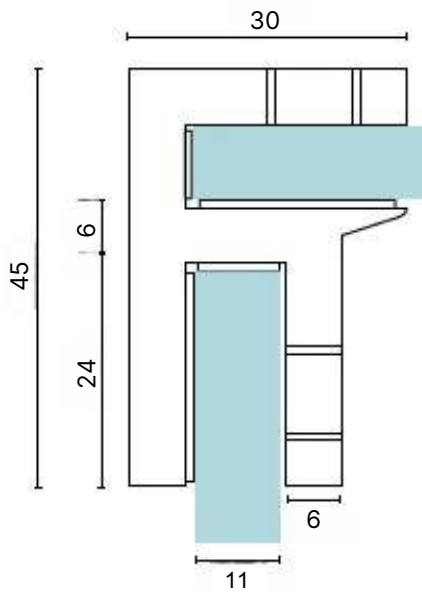
[wasales@nfk.com.au](mailto:wasales@nfk.com.au)

## Brace Bracket Square Profile

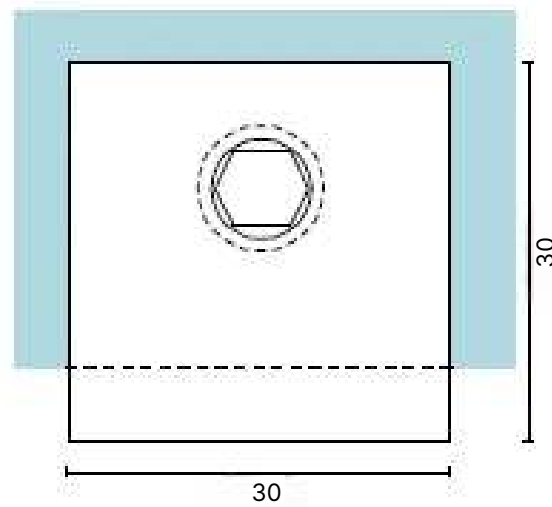


Suitable for 8mm horizontal glass brace and 10mm vertical glass panel

Finish	Horizontal glass thickness	Vertical glass thickness	Code
Chrome	8-9mm	9-10mm	19-SH/GBB-C
Brushed Nickel	8-9mm	9-10mm	19-SH/GBB-BN
Matte Black	8-9mm	9-10mm	19-SH/GBB-MB



Side view



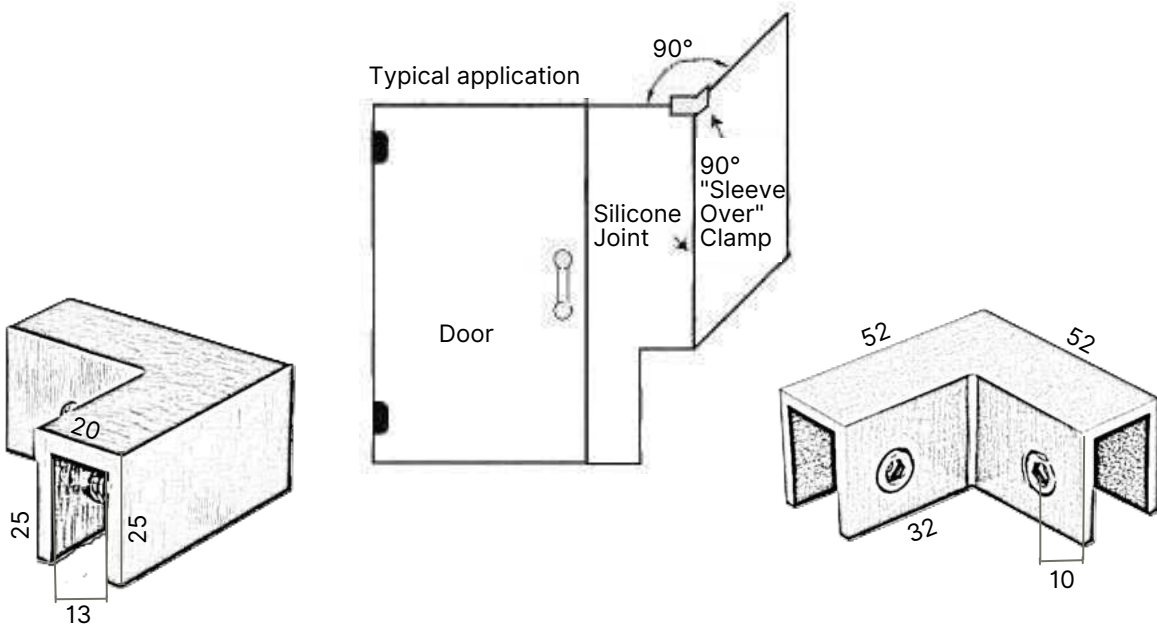
Top view

## 90° "Sleeve Over" Clamp Square Profile



- 90° "Sleeve Over" Glass Clamp with PVC clear gaskets
- Eliminates glass panel misalignment at the top edge of the glass
- Great for holding glass panels together while silicone sealant cures

Finish	Code
Chrome	19-SH/AA-SOC9010SQ
Brushed Nickel	19-SH/AA-SOC9010BN
Matte Black	19-SH/AA-SOC9010SQMB





# HANDLES & KNOBS

FRAMELESS SHOWER GLASS  
DOOR HANDLES AND KNOBS

- ✓ Manufactured from high-quality brass
- ✓ Suitable for 6-15 mm glass thickness

- ✓ High-quality components and surface finish

NFK Glazing  
& Industrial Supplies

[www.nfk.com.au](http://www.nfk.com.au)

📍 28 Devlan Street,  
Mansfield, QLD 4122

☎ 07 3343 3377

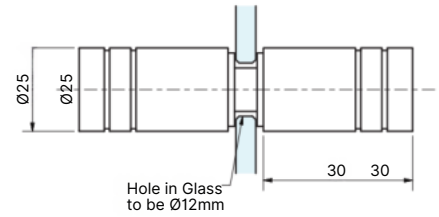
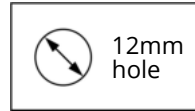
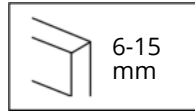
✉ [sales@nfk.com.au](mailto:sales@nfk.com.au)

📍 42 Tacoma Circuit,  
Canning Vale, WA 6155

☎ 08 9455 3866

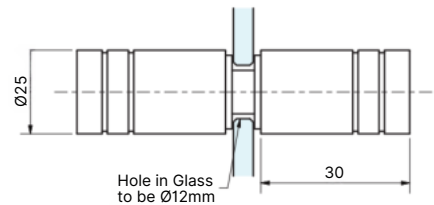
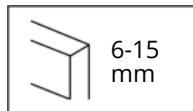
✉ [wasales@nfk.com.au](mailto:wasales@nfk.com.au)

## Straight Barrel Knob with Finger Grooves



Finish	Series	Material	Code
Chrome	Lightweight design	Plated brass	19-SH/BKS25-C33
Brushed Nickel	Lightweight design	Plated brass	19-SH/BKS25-BN33
Matt Black	Lightweight design	Plated brass	19-SH/BKS25-MB33
Matt Silver	Lightweight design	Plated brass	19-SH/BKS25-MS33
Brushed Gold	Lightweight design	Plated brass	19-SH/BKS25-BG33
White	Lightweight design	Plated brass	19-SH/BKS25-W33
Other finishes	Lightweight design	Plated brass	Contact NFK

## Straight Barrel Knob with Finger Grooves Solid Brass



Finish	Series	Material	Code
Chrome	Solid	Plated solid brass	19-SH/BKS25-C30
Brushed Nickel	Solid	Plated solid brass	19-SH/BKS25-BN
Matt Black	Solid	Plated solid brass	19-SH/BKS25-B
Brushed Gold	Solid	Plated solid brass	19-SH/BKS25-BG

NFK Glazing  
& Industrial Supplies

[www.nfk.com.au](http://www.nfk.com.au)

28 Devlan Street,  
Mansfield, QLD 4122

07 3343 3377

[sales@nfk.com.au](mailto:sales@nfk.com.au)

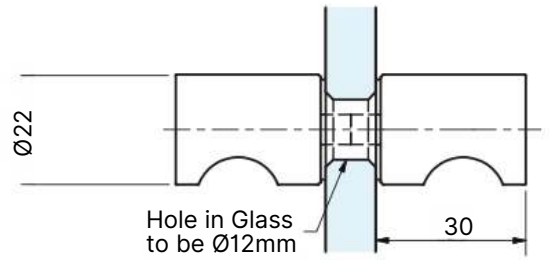
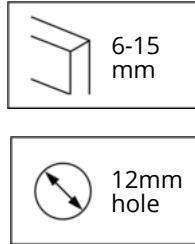
42 Tacoma Circuit,  
Canning Vale, WA 6155

08 9455 3866

[wasales@nfk.com.au](mailto:wasales@nfk.com.au)

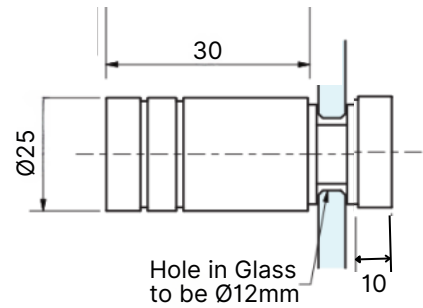
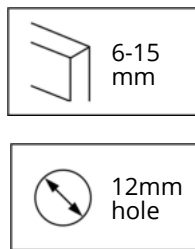


## Barrel Knob with Finger Pull



Finish	Code
Chrome	19-SH/BKG25-C
Other finishes	Contact NFK

## Single-Sided Barrel Knob



Finish	Code
Chrome	19-SH/BKS25SS-C30
Other finishes	Contact NFK

NFK Glazing  
& Industrial Supplies

[www.nfk.com.au](http://www.nfk.com.au)

28 Devlan Street,  
Mansfield, QLD 4122

07 3343 3377

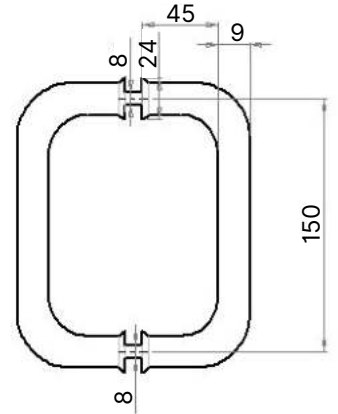
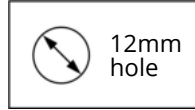
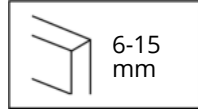
[sales@nfk.com.au](mailto:sales@nfk.com.au)

42 Tacoma Circuit,  
Canning Vale, WA 6155

08 9455 3866

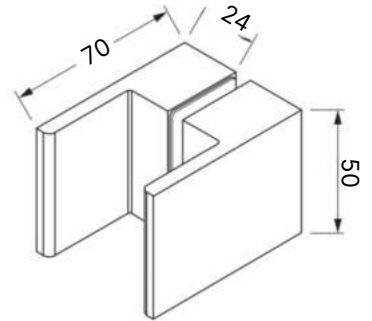
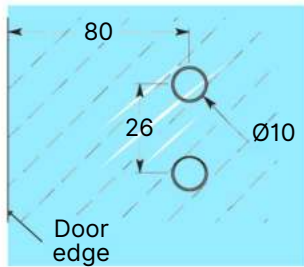
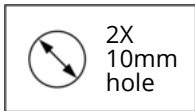
[wasales@nfk.com.au](mailto:wasales@nfk.com.au)

## Double "D" Pull Handle



Finish	Code
Polished Chrome	19-SH/HDD-C
Other finishes	Contact NFK

## Square Paddle Knob



Finish	Code
Chrome	19-SH/PK70-C
Other finishes	Contact NFK

NFK Glazing  
& Industrial Supplies

[www.nfk.com.au](http://www.nfk.com.au)

28 Devlan Street,  
Mansfield, QLD 4122

07 3343 3377

[sales@nfk.com.au](mailto:sales@nfk.com.au)

42 Tacoma Circuit,  
Canning Vale, WA 6155

08 9455 3866

[wasales@nfk.com.au](mailto:wasales@nfk.com.au)



# PRIVACY LATCHES

INDICATION LATCHES AND  
KEEPERS

- ✓ Manufactured from solid brass
- ✓ Suitable for 8-12 mm glass thickness

- ✓ High-quality components and surface finish

NFK Glazing  
& Industrial Supplies

[www.nfk.com.au](http://www.nfk.com.au)

📍 28 Devlan Street,  
Mansfield, QLD 4122

☎ 07 3343 3377

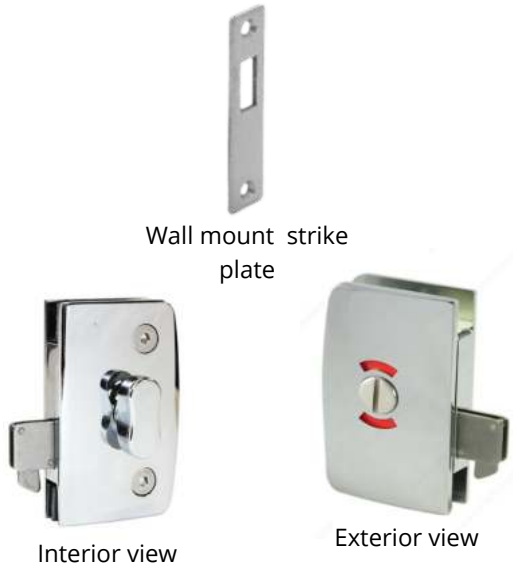
✉ [sales@nfk.com.au](mailto:sales@nfk.com.au)

📍 42 Tacoma Circuit,  
Canning Vale, WA 6155

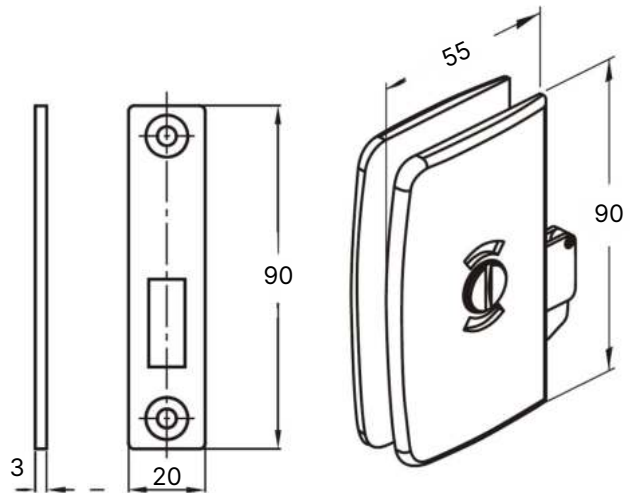
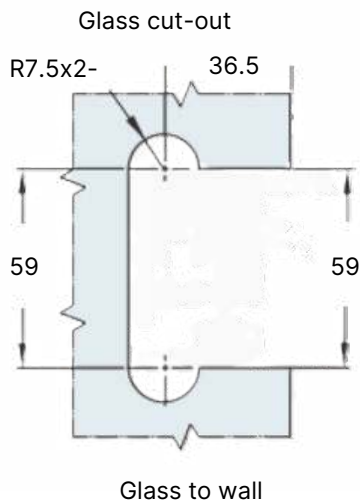
☎ 08 9455 3866

✉ [wasales@nfk.com.au](mailto:wasales@nfk.com.au)

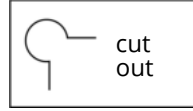
## Indication Latch for Sliding Door



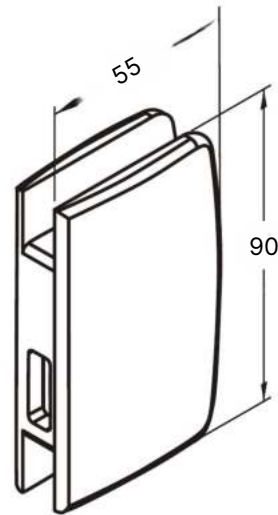
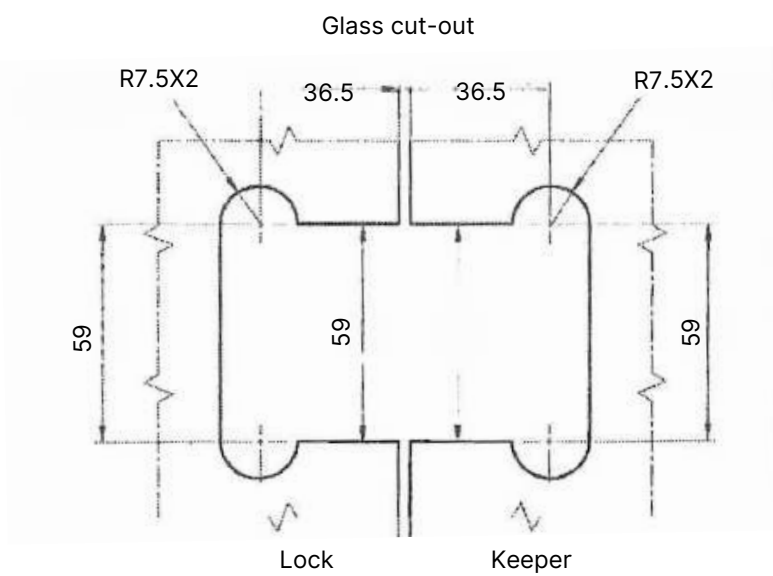
- Glass-to-wall mounting or glass-to-glass mounting with the Lock Keeper
- The glass must be notched for installation



## Lock Keeper



Product	Finish	Code
Indication Latch for Sliding Door	Chrome	19-04113.99
Lock Keeper	Chrome	19-04313.99



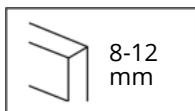
## Indication Latch



- Glass-to-wall mounting or glass-to-glass mounting with the Lock Keeper

Finish	Code
Polished Chrome	19-04112.99
Satin Chrome	19-04112.77

## Lock Keeper



Material: solid brass

Finish	Code
Polished Chrome	19-04312.99



# HEADER BARS

GLASS TO GLASS & WALL  
TO GLASS HEADER BARS

✓ Custom lengths is available

✓ High-quality finish on brass

NFK Glazing  
& Industrial Supplies

[www.nfk.com.au](http://www.nfk.com.au)

📍 28 Devlan Street,  
Mansfield, QLD 4122

☎ 07 3343 3377

✉ [sales@nfk.com.au](mailto:sales@nfk.com.au)

📍 42 Tacoma Circuit,  
Canning Vale, WA 6155

☎ 08 9455 3866

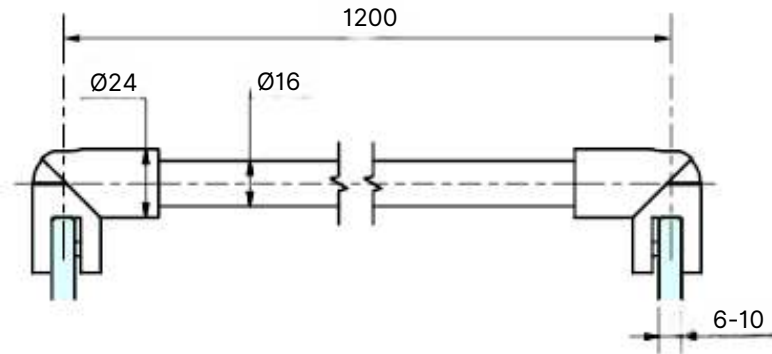
✉ [wasaless@nfk.com.au](mailto:wasaless@nfk.com.au)

## Glass to Glass Header Bar



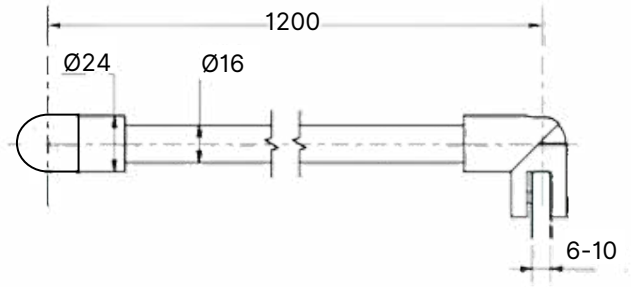
Adjustable to any angle

Finish	Code
Chrome	19-SH/094C
Brushed Nickel	19-SH/094BN
Matt Black	19-SH/094MB



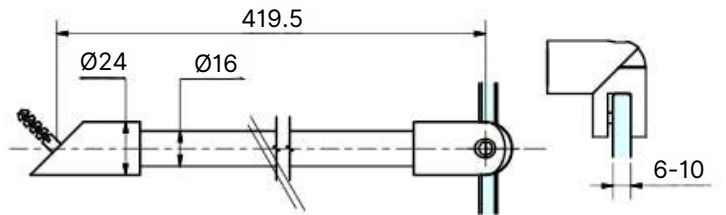


## Wall to Glass 90° Header Bar



Finish	Code
Chrome	19-SH/091C
Brushed Nickel	19-SH/091BN
Matt Black	19-SH/091MB

## Wall to Glass 45° Header Bar



Finish	Code
Chrome	19-SH/090



# WATER-SEALS/ BARS

U CHANNEL EXTRUSIONS,  
WATER BARS, WATERSEALS

- ✓ High-quality U-channels and water bars manufactured from aluminium

NFK Glazing  
& Industrial Supplies

[www.nfk.com.au](http://www.nfk.com.au)

📍 28 Devlan Street,  
Mansfield, QLD 4122

📞 07 3343 3377

✉️ [sales@nfk.com.au](mailto:sales@nfk.com.au)

📍 42 Tacoma Circuit,  
Canning Vale, WA 6155

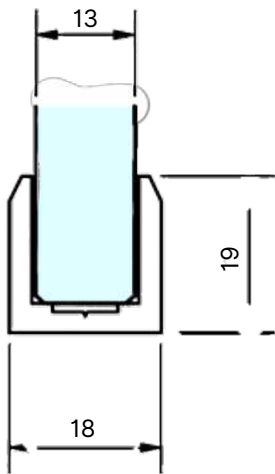
📞 08 9455 3866

✉️ [wasales@nfk.com.au](mailto:wasales@nfk.com.au)

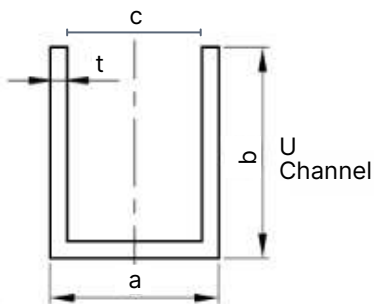
## U Channel Extrusion



- High-quality manufactured U-Channel made from Aluminium
- Length - 3000mm

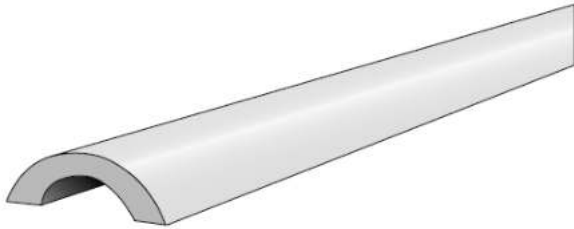


Finish	Code
Chrome	19-SH/017
Matt Black	19-SH/017MBL
Brushed Nickel	19-SH/017BN
Brushed Brass/Gold	19-SH/017BG

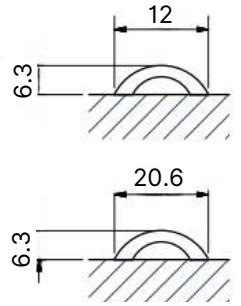


a	b	c	t
18mm	19mm	13mm	2mm

## Half-Round Waterbar

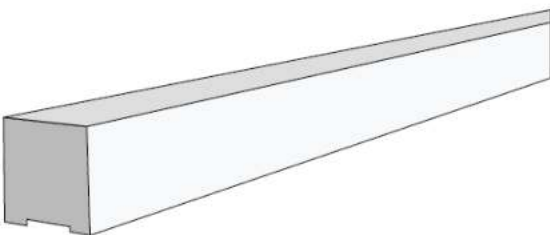


- High-quality manufactured Waterbar made from Aluminium
- Curved profile with rebated base for silicone

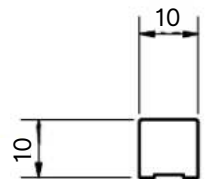


Finish	Width	Length	Code
Chrome	20mm	3000mm	19-SH/000
Chrome	12mm	3000mm	19-SH/001
Matt Black	12mm	3000mm	19-SH/001-MB
Brushed Nickel	12mm	3000mm	19-SH/001-BN
Brushed Brass/Gold	12mm	3000mm	19-SH/001-BG

## Square Profile Waterbar



High-quality manufactured from Aluminium



Finish	W/H, mm	Length	Code
Chrome	10x10	3000mm	19-SH/000
Gold	10x10	3000mm	19-SH/000.01-G
Brushed Gold	10x10	3000mm	19-SH/000.01-BG

## Waterseals

### DL80-10



### DL80-11



### DL80-6



- Waterseals to suit glass 6mm, 8mm, 10mm and 12mm thick
- 2400mm length
- Made from semi-translucent co-extruded polycarbonate



Type	Glass thickness	Length	Code
DL80-10	6mm	2400mm	19-SH/0035
DL80-10	8mm	2000mm	19-SH/0032
DL80-10	10mm	2400mm	19-SH/003
DL80-10	12mm	2400mm	19-SH/0037
DL80-11	6mm	2400mm	19-SH/0115
DL80-11	10mm	2400mm	19-SH/011
DL80-11	12mm	2400mm	19-SH/0117
DL80-11 Hard Leg	10mm	2400mm	19-SH/011.HJ
DL80-11 Hard Leg	10mm	3000mm	19-SH/011.3.HJ
DL80-11 Hard Jamb	12mm	2400mm	19-SH/0117.HJ
DL80-11 Hard Jamb	12mm	3000mm	19-SH/0117.3.HJ
DL80-6	6mm	2400mm	19-SH/0065
DL80-6	10mm	2400mm	19-SH/006
DL80-6	12mm	2400mm	19-SH/0067

## Waterseals



- Waterseals to suit glass 6mm, 8mm, 10mm and 12mm thick
- 2400mm length
- Made from semi-translucent co-extruded polycarbonate



Type	Glass thickness	length	CODE
DL80-7	6mm	2400mm	19-SH/0085
DL80-7	10mm	2400mm	19-SH/008
DL80-7	12mm	2400mm	19-SH/0087
DL80-5	10mm	2400mm	19-SH/002
DL80-4	10mm	2000mm	19-SH/005
DL80-8	10mm	2000mm	19-SH/009

NFK Glazing  
& Industrial Supplies

[www.nfk.com.au](http://www.nfk.com.au)

28 Devlan Street,  
Mansfield, QLD 4122

07 3343 3377

[sales@nfk.com.au](mailto:sales@nfk.com.au)

42 Tacoma Circuit,  
Canning Vale, WA 6155

08 9455 3866

[wasaless@nfk.com.au](mailto:wasaless@nfk.com.au)




# DOOR STOPS/ GLASS SHELVES

HALF MOON DOOR STOP,  
BARREL DOOR STOP, GLASS  
CORNER SHELVES

NFK Glazing  
& Industrial Supplies


[www.nfk.com.au](http://www.nfk.com.au)

 28 Devlan Street,  
Mansfield, QLD 4122

 07 3343 3377

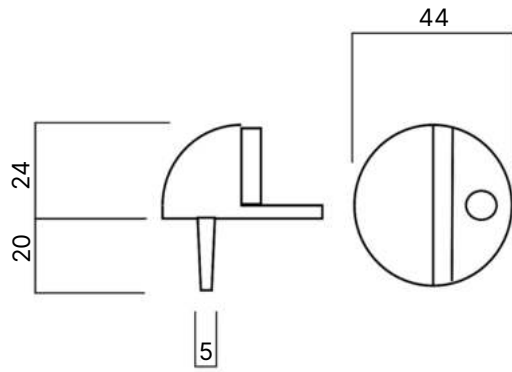
 [sales@nfk.com.au](mailto:sales@nfk.com.au)

 42 Tacoma Circuit,  
Canning Vale, WA 6155

 08 9455 3866

 [wasales@nfk.com.au](mailto:wasales@nfk.com.au)

## Half moon door stop



Half moon style door stop with rubber

Finish	Code
Chrome	19-SH/A620

## Barrel door stop



Barrel style door stop with rubber

Finish	Code
Chrome	19-SH/A611

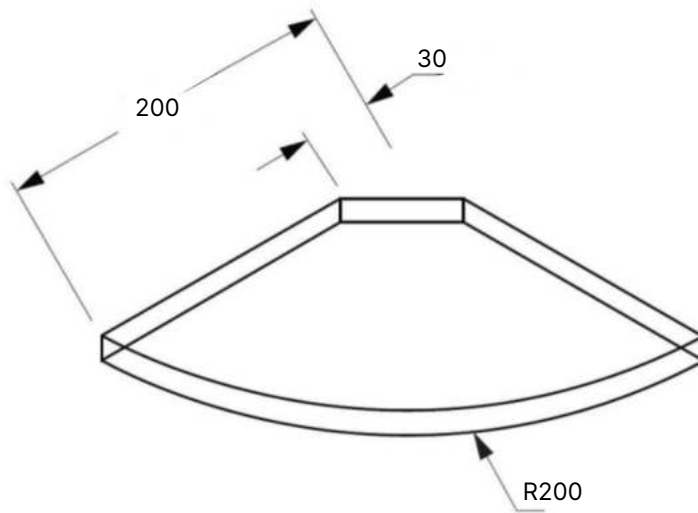


## Glass Corner Shelf with Soap Dish



Radius shower shelf is made from 10mm toughened glass with flat polished edges.

Radius	Code
R-200mm	03-0001S



NFK Glazing  
& Industrial Supplies

[www.nfk.com.au](http://www.nfk.com.au)

28 Devlan Street,  
Mansfield, QLD 4122

07 3343 3377

[sales@nfk.com.au](mailto:sales@nfk.com.au)

42 Tacoma Circuit,  
Canning Vale, WA 6155

08 9455 3866

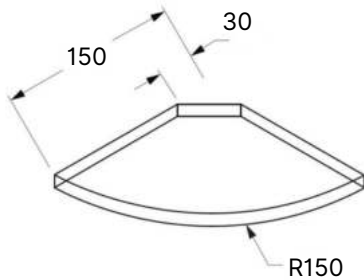
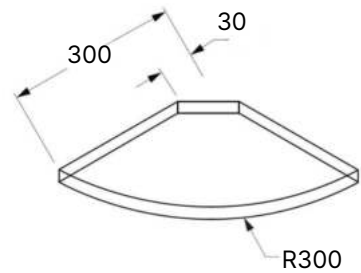
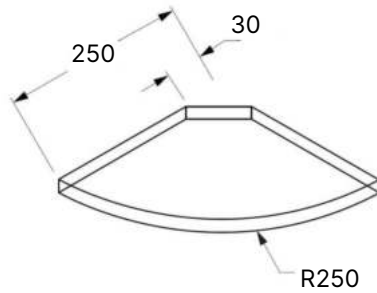
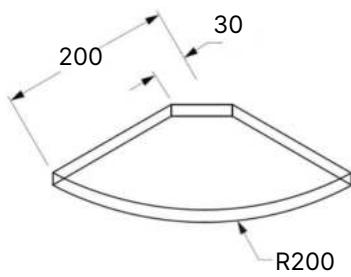
[wales@nfk.com.au](mailto:wales@nfk.com.au)

## Radius Corner Glass Shelf



Radius shower shelf is made from 10mm toughened glass with flat polished edges.

Radius	Code
R-150mm	03-0000
R-200mm	03-0001
R- 250mm	03-0002
R-300mm	03-0003



NFK Glazing  
& Industrial Supplies

[www.nfk.com.au](http://www.nfk.com.au)

28 Devlan Street,  
Mansfield, QLD 4122

07 3343 3377

[sales@nfk.com.au](mailto:sales@nfk.com.au)

42 Tacoma Circuit,  
Canning Vale, WA 6155

08 9455 3866

[wasaless@nfk.com.au](mailto:wasaless@nfk.com.au)

